

Model(型號): **ROTARY POTENTIOMETER-----R08A11V01**

► Download PDF file



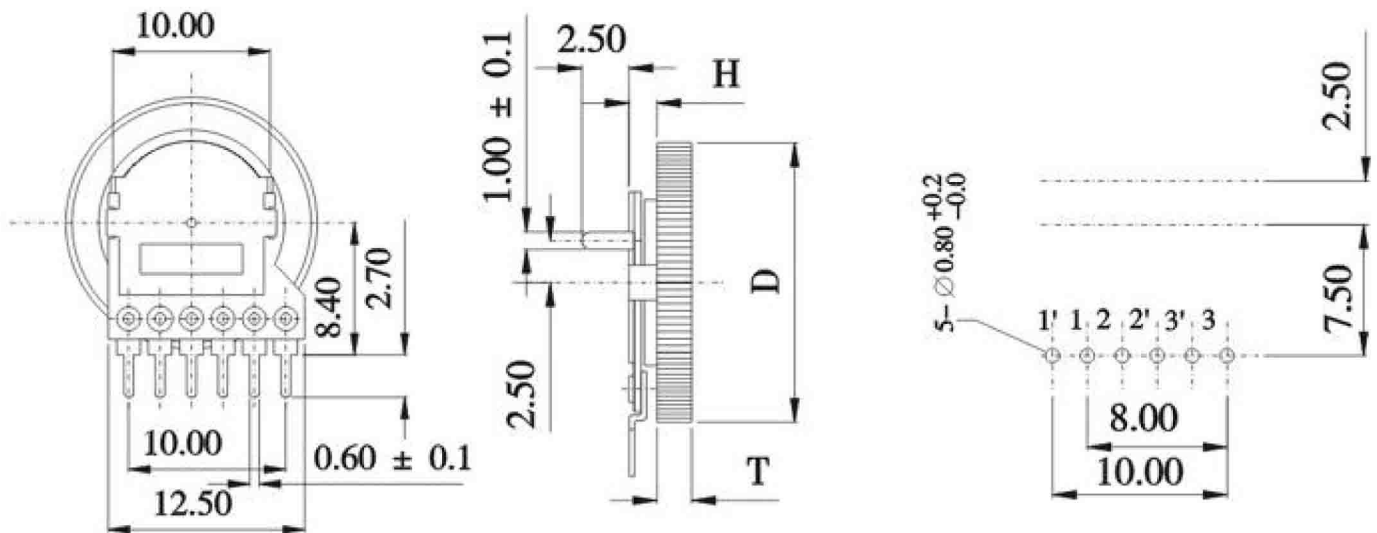
**Features:(特點):**

Small size,high dependability  
thanks to its structure eliminating openings.  
Excellent operational feeling

**Applications(作用):**

Suitable for various control applications  
with general consumer electronics products,  
automotive installation equipment and devices,  
industrial machines ,etc

**Dimensions(規格圖):**



**Specifications(規格)**

**Electrical Characteristics [ 電氣性能 ]**

|  |                        |
|--|------------------------|
| Total resistance [ 全阻抗值 ]              | 100Ω - 1MΩ             |
| Total resistance tolerance [ 全阻抗值容許差 ] | ±20%                   |
| Ratings power(w) [ 額定功率 ]              | 0.03W                  |
| Resistance taper [ 阻抗變化特性 ]            | A,B,C,                 |
| Residual resistance [ 殘留阻值 ]           | 20Ω Max                |
| Sliding noise [ 滑動雜音 ]                 | 70mV Max.              |
| Gang error [ 連動誤差 ]                    | -                      |
| Insulation resistance [ 絕緣阻抗 ]         | 100MΩ Min. at DC 100V. |
| Max. operating voltage [ 最高使用電壓 ]      | DC 12V                 |

**Mechanical Characteristics [ 機械性能 ]**

|                                    |  |
|------------------------------------|--|
| Operation torque [ 回轉力矩 ]          | 10~60gf . cm   |
| Rotation stopper strength [ 止動強度 ] | 0.6Kgf . cm Min.                                     |
| Total rotational angle [ 回轉角度 ]    | 270 ±5°  |
| Knob push-pull strength [ 推拉強度 ]   | Push force 0.5kgf. cm Max. pull force 0.2kgf.cm Max. |

**Endurance Characteristics [ 耐久性能 ]**

|                          |                       |
|--------------------------|-----------------------|
| Rotational life [ 回轉壽命 ] | More than5,000 cycles |
|--------------------------|-----------------------|