

Model(型號): **ROTARY POTENTIOMETER-----R09714DB1**

▶ Download PDF file



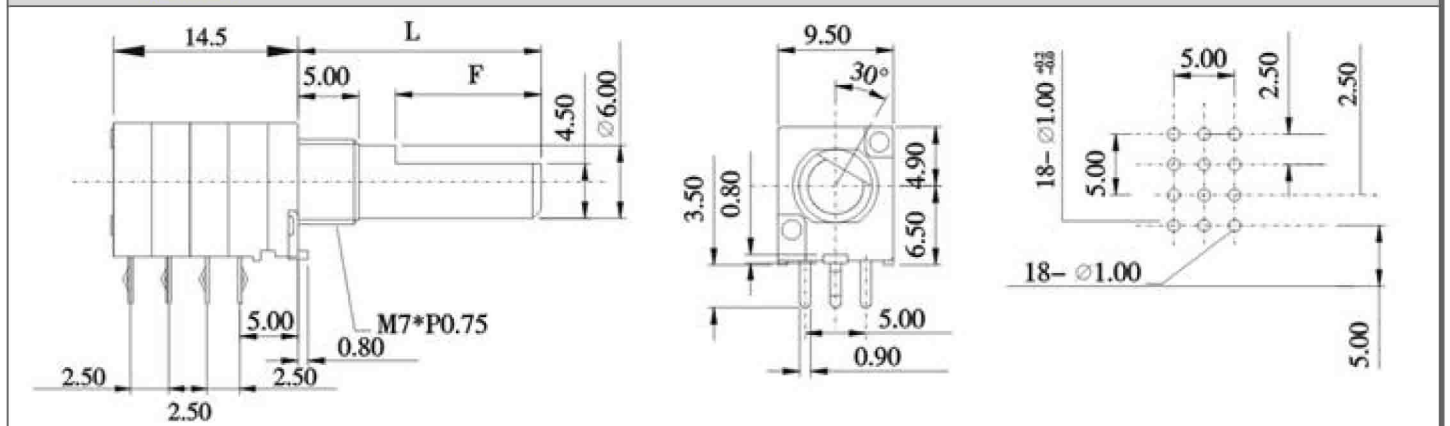
Features:(特點):

Small, only 9.5mm wide.
 there three mounting heights from the PC board to shaft center: 6.5mm and 10mm and 12.5mm.
 Inswrting molding with rwsin around the resistor prevents flux build-up.
 The gang error is within 3dB at 40 to 0dB.

Applications(作用):

Ideal for volume, tone and balance control of car audio equipment.

Dimensions(規格圖):



Specifications(規格)

Electrical Characteristics [電氣性能]

| | |
|--|---------------------------|
| Total resistance [全阻抗值] | 500Ω - 1MΩ |
| Total resistance tolerance [全阻抗值容許差] | ±20% |
| Ratings power(w) [額定功率] | 0.05W |
| Resistance taper [阻抗變化特性] | A,B, *C |
| Residual resistance [殘留阻值] | 20KΩMax. |
| Sliding noise [滑動雜音] | 100mV Max. |
| Withstanding voltage [耐電壓] | 1 minute at AC 250V |
| Gang error [連動誤差] | ±2dB Max.at 50% position. |
| Insulation resistance [絕緣阻抗] | 100MΩ Min. at DC 500V. |
| Max. operating voltage [最高使用電壓] | AC50V, DC 10V |

Mechanical Characteristics [機械性能]

| | |
|------------------------------------|------------------|
| Operation torque [回轉力矩] | 20~250gf . cm |
| Rotation stopper strength [止動強度] | 3.0Kgf . cm Min. |
| Total rotational angle [回轉角度] | 300±5° |
| position of click[掣子位置] | 150° ±5° |
| Center decent force [掣子脫出力矩] | 40~300gf.cm |

Endurance Characteristics [耐久性能]

| | |
|--------------------------|-------------------------|
| Rotational life [回轉壽命] | More than 10,000 cycles |
|--------------------------|-------------------------|