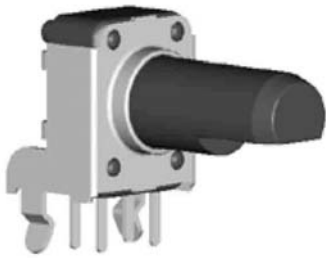




Model(型號): ROTARY POTENTIOMETER-----R09A12V01

► Download PDF file



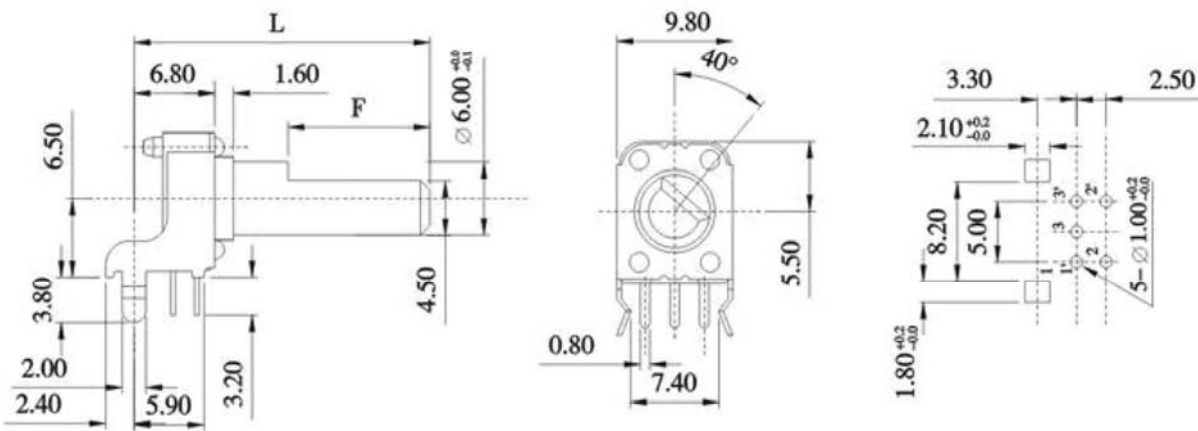
Features:(特點):

Thanks to its structure eliminating openings,the dust-proofing capacity and flux resistance have been improved.9.8mm outing size is ideal for high-density set design.

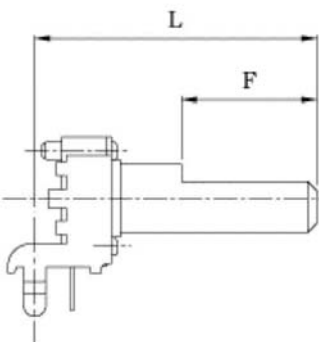
Applications(作用):

Suitable for various control applications with audio products,visual products,electronic musical instrument, etc.

Dimensions(規格圖):

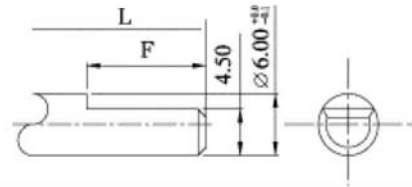


TYPE OF KNOB



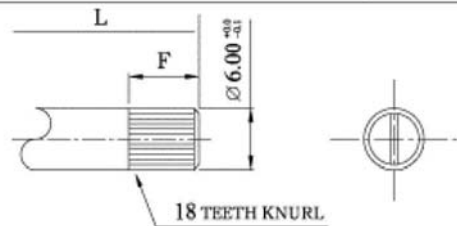
F Type

L	15	20	25	30	35
F	6	7	12	12	12



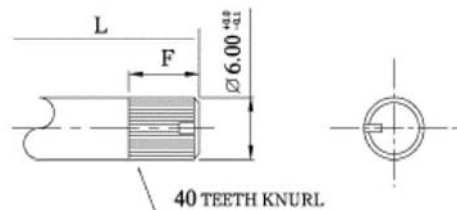
K Type

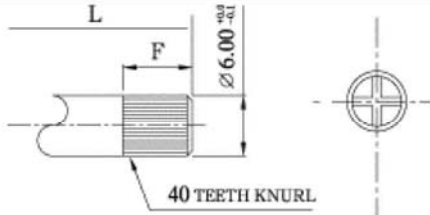
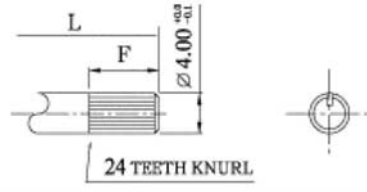
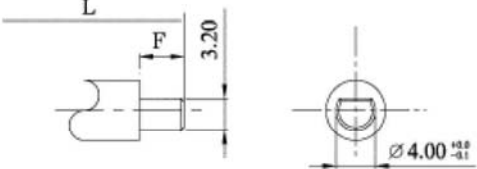
L	20	25	30	35
F	7	7	7	7



E Type

L	15	20	25	30	35
F	6	7	7	7	7



<p><b>P Type</b></p> <table border="1"> <tr> <td>L</td> <td>9.5</td> <td>15</td> <td>20</td> <td>25</td> <td>30</td> <td>35</td> </tr> <tr> <td>F</td> <td>0</td> <td>6</td> <td>7</td> <td>7</td> <td>7</td> <td>7</td> </tr> </table> 	L	9.5	15	20	25	30	35	F	0	6	7	7	7	7
L	9.5	15	20	25	30	35								
F	0	6	7	7	7	7								
<p><b>Q Type</b></p> <table border="1"> <tr> <td>L</td> <td>20</td> <td>25</td> <td>30</td> <td>35</td> </tr> <tr> <td>F</td> <td>7</td> <td>7</td> <td>7</td> <td>7</td> </tr> </table> 	L	20	25	30	35	F	7	7	7	7				
L	20	25	30	35										
F	7	7	7	7										
<p><b>C Type</b></p> <table border="1"> <tr> <td>L</td> <td>12.5</td> </tr> <tr> <td>F</td> <td>4.5</td> </tr> </table> 	L	12.5	F	4.5										
L	12.5													
F	4.5													

### Specifications(規格)

#### Electrical Characteristics [電氣性能]

Total resistance [全阻抗值]	100Ω - 1MΩ
Total resistance tolerance [全阻抗值容許差]	±20%
Ratings power(w) [額定功率]	0.05W
Resistance taper [阻抗變化特性]	A,B, *C,D,W
Residual resistance [殘留阻值]	R < 5KΩ 10Ω Max. 5KΩ ≤ R ≤ 10KΩ 50Ω Max. 10KΩ < R ≤ 50KΩ 70Ω Max. 50KΩ < R ≤ 100KΩ 120Ω Max. 100KΩ < R ≤ 1MΩ 320Ω Max.
Sliding noise [滑動雜音]	100mV Max.
Withstanding voltage [耐電壓]	1 minute at AC 250V
Gang error [連動誤差]	-40dB ~ 0dB ±3dB Max.
Insulation resistance [絕緣阻抗]	100MΩ Min. at DC 100V.
Max. operating voltage [最高使用電壓]	AC 50V · DC 12V

#### Mechanical Characteristics [機械性能]

Operation torque [回轉力矩]	10~80gf . cm
Rotation stopper strength [止動強度]	3.0Kgf . cm Min.
Total rotational angle [回轉角度]	280 ±5°

#### Endurance Characteristics [耐久性能]

Rotational life [回轉壽命]	More than 10,000 cycles
------------------------	-------------------------