



Model(型號): ROTARY POTENTIOMETER-----R09V11V01

► Download PDF file



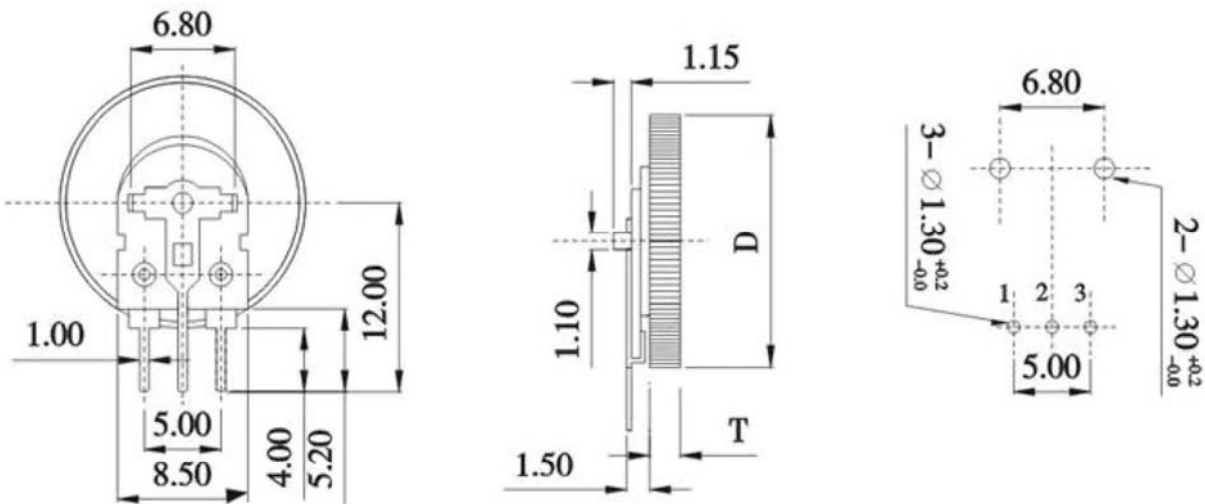
**Features:(特點):**

Thin body, only 0.9mm thickness.  
We offer both the DIP soldering type and reflow type.

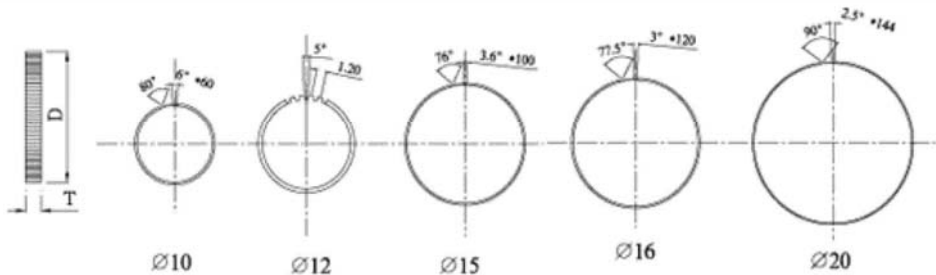
**Applications(作用):**

For volume controls, electronic tuning and brightness control in radio , headphone stereo,liquidcrystal TV set,personal computer, CD-ROM,ect.

**Dimensions(規格圖):**



**TYPE OF KNOB**



D	$\varnothing 10$	$\varnothing 12$	$\varnothing 15$	$\varnothing 16$	$\varnothing 20$
T	1.8	1.9	0.9	1.9	3.0

**Specifications(規格)**

**Electrical Characteristics [ 電氣性能 ]**

Total resistance [ 全阻抗值 ]	100 $\Omega$ - 1M $\Omega$
Total resistance tolerance [ 全阻抗值容許差 ]	$\pm 20\%$
Ratings power(w) [ 額定功率 ]	0.05W
Resistance taper [ 阻抗變化特性 ]	A,B,C,
Residual resistance [ 殘留阻值 ]	20 $\Omega$ Max
Sliding noise [ 滑動雜音 ]	70mV Max.
Gang error [ 連動誤差 ]	R $\leq$ 1K $\Omega$ , 30dB~0dB $\pm 3$ dB Max ; R> 1K $\Omega$ , 40dB~0dB $\pm 3$ dB Max .
Insulation resistance [ 絕緣阻抗 ]	100M $\Omega$ Min. at DC 100V.
Max. operating voltage [ 最高使用電壓 ]	DC 12V

<b>Mechanical Characteristics [ 機械性能 ]</b>	
Operation torque [ 回轉力矩 ]	10~60gf . cm
Rotation stopper strength [ 止動強度 ]	1.0Kgf . cm Min.
Total rotational angle [回轉角度]	220 ±5°
Knob push-pull strength [推拉強度]	Push force 0.5kgf. cm Max. pull force 0.2kgf.cm Max.
<b>Endurance Characteristics [ 耐久性能 ]</b>	
Rotational life [ 回轉壽命 ]	More than10,000 cycles