

Model(型號): **ROTARY POTENTIOMETER-----R12312AB1**

► Download PDF file



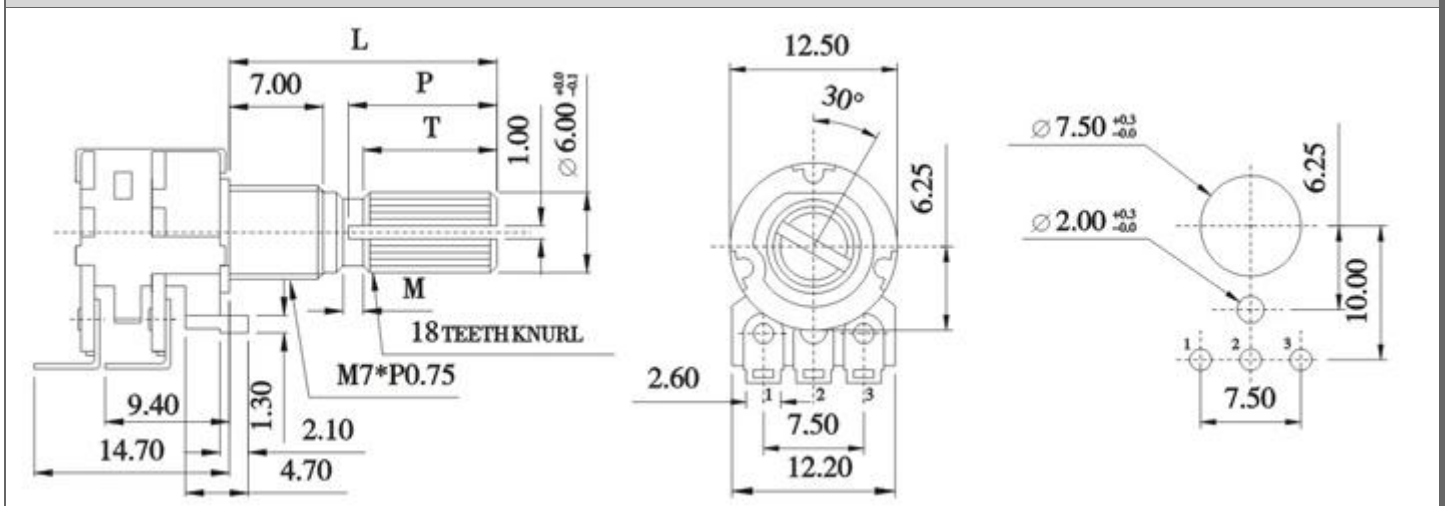
**Features:(特點):**

Excellent operational feeling

**Applications(作用):**

Suitable for various vontrol applications with general consumer electronics products,automotive installation equipment and devices,industrial machines,etc

**Dimensions(規格圖):**



**Specifications(規格)**

**Electrical Characteristics [ 電氣性能 ]**

Total resistance [ 全阻抗值 ]	500Ω~1MΩ
Total resistance tolerance [ 全阻抗值容許差 ]	±20%
Ratings power(w) [ 額定功率 ]	B curve 0.08W,except B 0.04W
Restings taper[阻抗變化特性]	A,B,*C,D,W,RD
Residual resistance [殘留阻值]	20ΩMax.
Sliding noise [滑動雜音]	47mV Max.
Withstanding voltage [耐電壓]	1 minute at AC 300V
Insulation resistance [絕緣阻抗]	50MΩ Min. at DC 500V.
Max. operating voltage [最高使用電壓]	linear Taper B AC 150V, except B AC 100V.
Gang error:[運動誤差]	-40dB~0dB ±3dB Max.
Switch contact resistance[開關的接觸阻抗]	less than 0.5mΩ
Switch Ratings power	3A at DC 16V or 1A at AC 125V

**Mechanical Characteristics [ 機械性能 ]**

Operation torque [ 回轉力矩 ]	20~200gf . cm
Rotation stopper strength [ 止動強度 ]	3.0Kgf . cm Min.
Total rotational angle [回轉角度]	300±5°
Push-pull strength[推 拉強度]	5.0Kgf . cm Min.
position of click[掣子位置]	150° ±5°
Center decent force [掣子脫出力矩]	50~250gf.cm
Switch rotational angle[開關的回轉角度]	30° ±10°
Switch action[開關的轉動力]	150~350gf.cm

**Endurance Characteristics [ 耐久性能 ]**

Rotational life [ 回轉壽命 ]	More than10,000 cycles
--------------------------	------------------------

