

Model(型號): **ROTARY POTENTIOMETER-----R12712BS1**

► Download PDF file



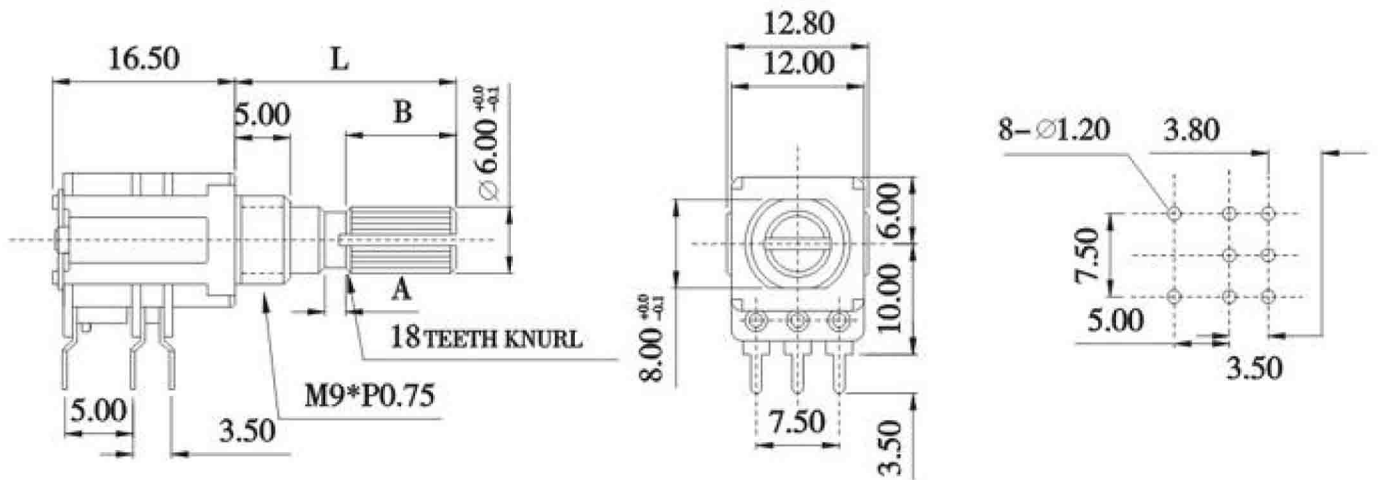
Features:(特點):

Excellent operational feeling

Applications(作用):

Ideal for volume, tone and balance control of car audio equipment.

Dimensions(規格圖):



Specifications(規格)

Electrical Characteristics [電氣性能]

Total resistance [全阻抗值]	500Ω~1MΩ
Total resistance tolerance [全阻抗值容許差]	±20%
Ratings power(w) [額定功率]	Outer shaft 0.03W, Inner shaft 0.05W
Restings taper[阻抗變化特性]	A, B, *C
Residual resistance [殘留阻值]	20KΩMax.
Sliding noise [滑動雜音]	85mV Max.
Withstanding voltage [耐電壓]	1 minute at AC 250V
Insulation resistance [絕緣阻抗]	100MΩ Min. at DC 500V.
Max. operating voltage [最高使用電壓]	30V
Gang error:[運動誤差]	-40dB~0dB at ±3dB Max.

Mechanical Characteristics [機械性能]

Operation torque [回轉力矩]	30~200gf . cm
Rotation stopper strength [止動強度]	3.0Kgf . cm Min.
Total rotational angle [回轉角度]	Outer shaft 120±5° Inner shaft 300±5°
position of click[掣子位置]	150° ±5°
Center decent force [掣子脫出力矩]	50~300gf.cm

Endurance Characteristics [耐久性能]

Rotational life [回轉壽命]	More than 10,000 cycles
--------------------------	-------------------------