

Model(型號): **ROTARY POTENTIOMETER-----R12723CS1**

► Download PDF file

**Features:(特點):**

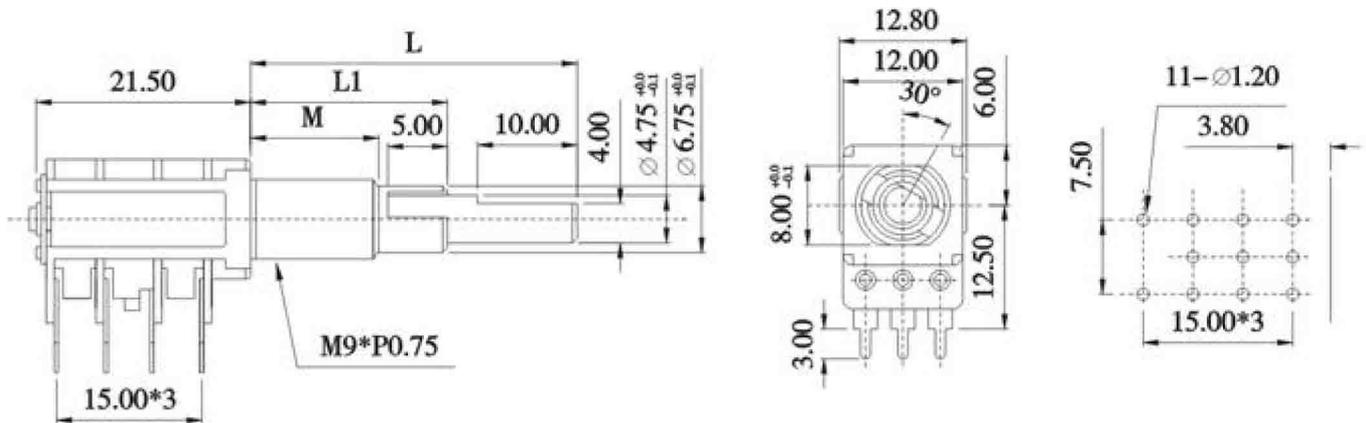
Excellent operational feeling

**Applications(作用):**

Ideal for volume, tone and balance control of car audio equipment.



**Dimensions(規格圖):**



**Specifications(規格)**

**Electrical Characteristics [ 電氣性能 ]**

Total resistance [ 全阻抗值 ]	500Ω~1MΩ
Total resistance tolerance [ 全阻抗值容許差 ]	±20%
Ratings power(w) [ 額定功率 ]	Outer shaft 0.03W, Inner shaft 0.05W
Restings taper[阻抗變化特性]	A,B,*C
Residual resistance [殘留阻值]	20KΩMax.
Sliding noise [滑動雜音]	85mV Max.
Withstanding voltage [耐電壓]	1 minute at AC 250V
Insulation resistance [絕緣阻抗]	100MΩ Min. at DC 500V.
Max. operating voltage [最高使用電壓]	30V
Gang error:[運動誤差]	-40dB~0dB at ±3dB Max.

**Mechanical Characteristics [ 機械性能 ]**

Operation torque [ 回轉力矩 ]	30~200gf . cm
Rotation stopper strength [ 止動強度 ]	3.0Kgf . cm Min.
Total rotational angle [回轉角度]	Outer shaft 120±5° Inner shaft 300±5°
position of click[掣子位置]	150° ±5°
Center decent force [掣子脫出力矩]	50~300gf.cm

**Endurance Characteristics [ 耐久性能 ]**

Rotational life [ 回轉壽命 ]	More than10,000 cycles
--------------------------	------------------------