

Model(型號): **ROTARY POTENTIOMETER-----R12C12BB1**

► Download PDF file



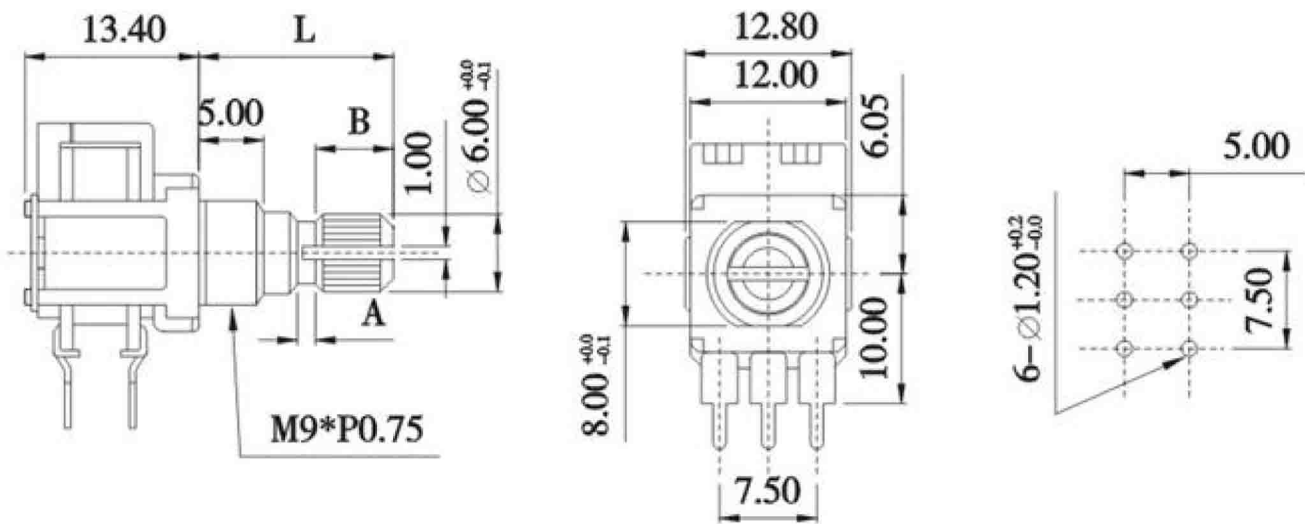
Features:(特點):

Excellent operational feeling

Applications(作用):

Ideal for volume, tone and balance control of car audio equipment.

Dimensions(規格圖):



Specifications(規格)

Electrical Characteristics [電氣性能]

Total resistance [全阻抗值]	40Ω . 80MΩ
Total resistance tolerance [全阻抗值容許差]	±20%
Ratings power(w) [額定功率]	2.5W
Residual resistance [殘留阻值]	1KΩMax.
Sliding noise [滑動雜音]	Single unit:47mV Max. Dual unit:100mV Max.
Withstanding voltage [耐電壓]	1 minute at AC 250V
Insulation resistance [絕緣阻抗]	100MΩ Min. at DC 500V.
Max. operating voltage [最高使用電壓]	DC 6.3V

Mechanical Characteristics [機械性能]

Operation torque [回轉力矩]	20~200gf . cm
Rotation stopper strength [止動強度]	4.0Kgf . cm Min.
Total rotational angle [回轉角度]	180±5°
position of click[掣子位置]	150° ±5°
Center decent force [掣子脫出力矩]	50~300gf.cm

Endurance Characteristics [耐久性能]

Rotational life [回轉壽命]	More than10,000 cycles
--------------------------	------------------------