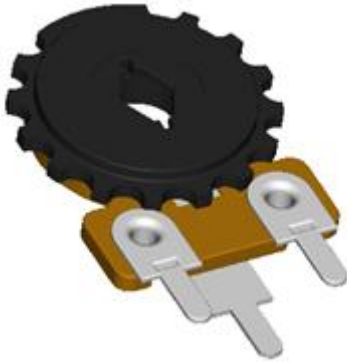


Model(型號): **ROTARY POTENTIOMETER-----R15811V01**

► Download PDF file



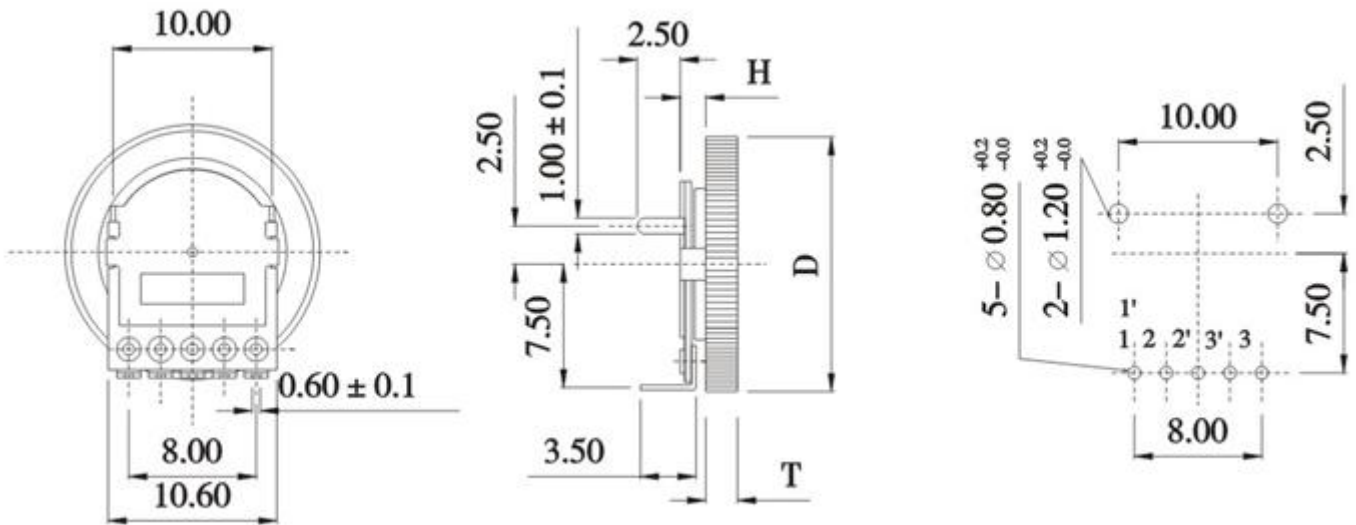
**Features:(特點):**

Small size,high dependability  
thanks to its structure eliminating openings.  
Excellent operational feeling

**Applications(作用):**

Suitable for various control applications  
with general consumer electronics products,  
automotive installation equipment and devices,  
industrial machines ,etc

**Dimensions(規格圖):**



**Specifications(規格)**

**Electrical Characteristics [ 電氣性能 ]**

Total resistance [ 全阻抗值 ]	100Ω - 1MΩ
Total resistance tolerance [ 全阻抗值容許差 ]	±20%
Ratings power(w) [ 額定功率 ]	0.1W
Resistance taper [ 阻抗變化特性 ]	A,B,C,
Residual resistance [ 殘留阻值 ]	20Ω Max
Sliding noise [ 滑動雜音 ]	70mV Max.
Gang error [ 連動誤差 ]	-
Insulation resistance [ 絕緣阻抗 ]	100MΩ Min. at DC 100V.
Max. operating voltage [ 最高使用電壓 ]	DC 12V

**Mechanical Characteristics [ 機械性能 ]**

Operation torque [ 回轉力矩 ]	20~60gf . cm
Rotation stopper strength [ 止動強度 ]	1.0Kgf . cm Min.
Total rotational angle [ 回轉角度 ]	270 ±5°
Knob push-pull strength [ 推拉強度 ]	Push force 0.5kgf. cm Max. pull force 0.2kgf.cm Max.

**Endurance Characteristics [ 耐久性能 ]**

Rotational life [ 回轉壽命 ]	More than10,000 cycles
--------------------------	------------------------