

Model(型號): **RKJXK3401**

[Download PDF file](#)



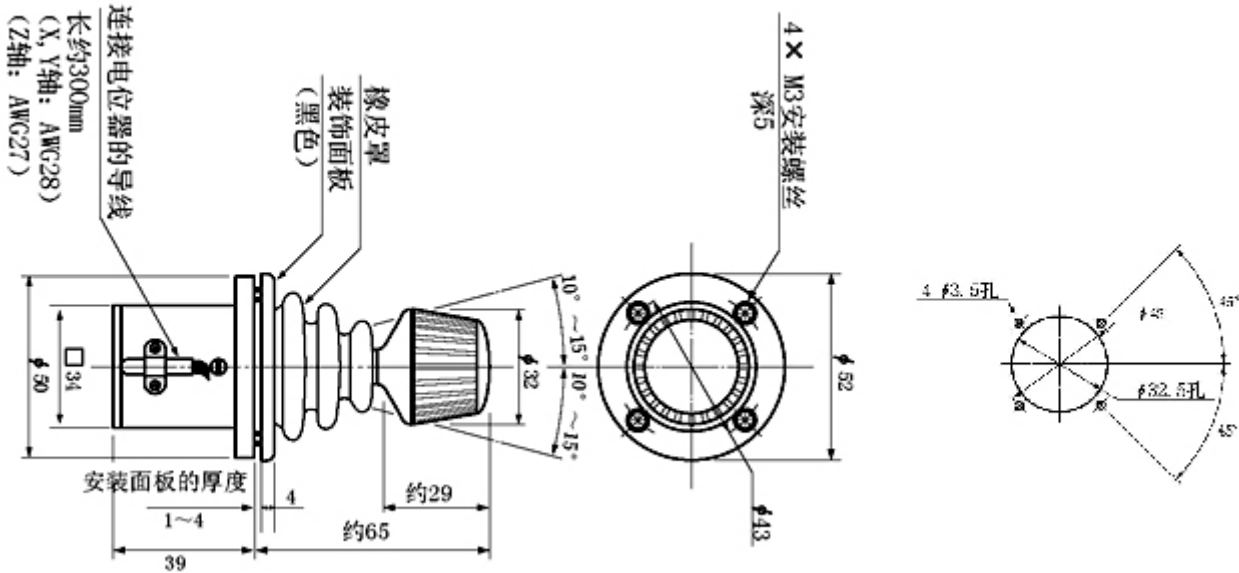
Features:(特點):

Lowest-cost version of 3-dimensional coordinate type joystick controllers . Spring return device and dust-proof rubber cover are fitted as standard version.

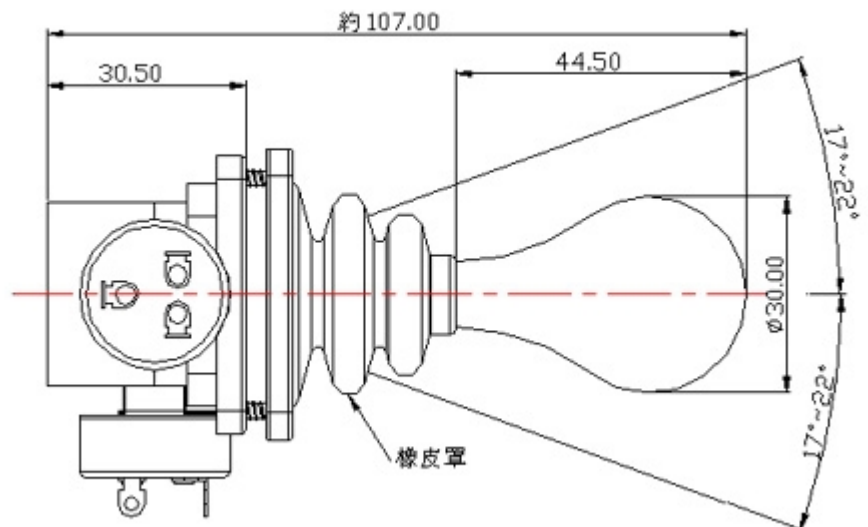
Applications(作用):

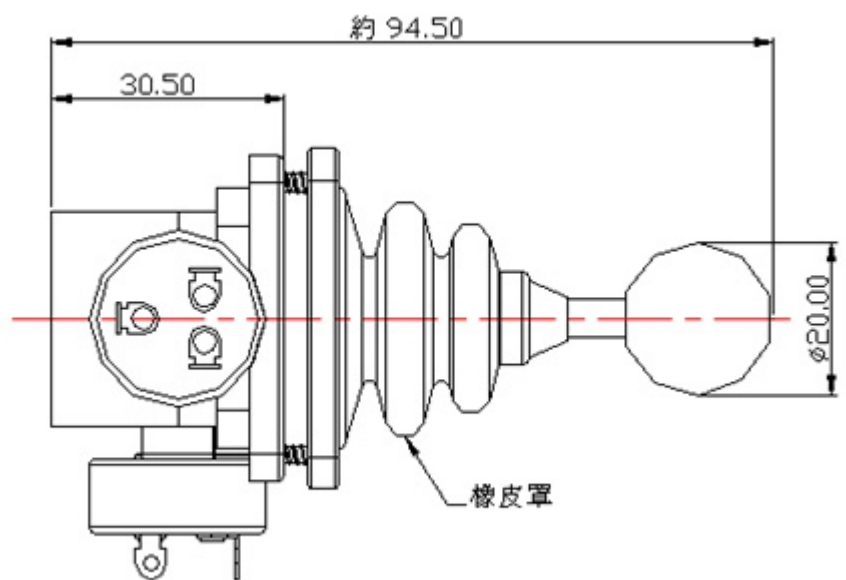
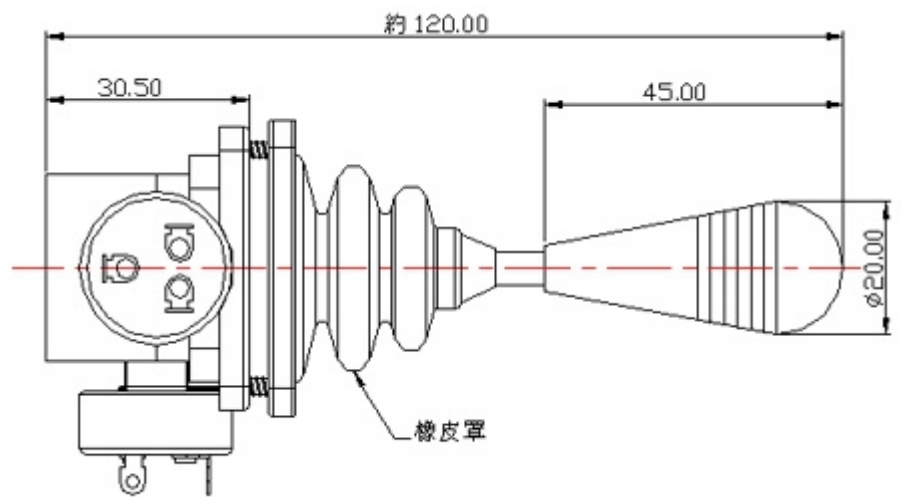
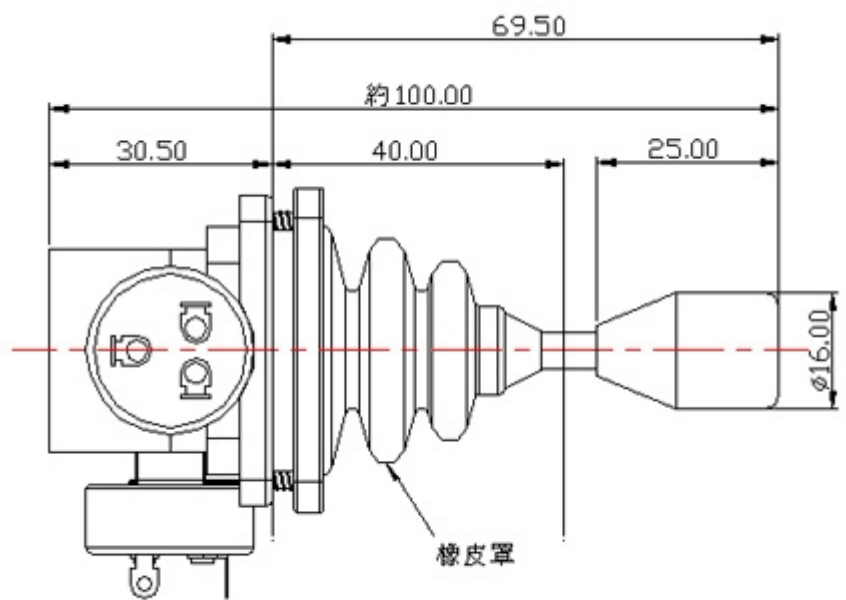
Various kinds of measuring devices, electromotive wheelchairs, robot operations ,precision machine tools ,etc. crane operations , industrial vehicles ,civil engineering and construction machinery ,etc.

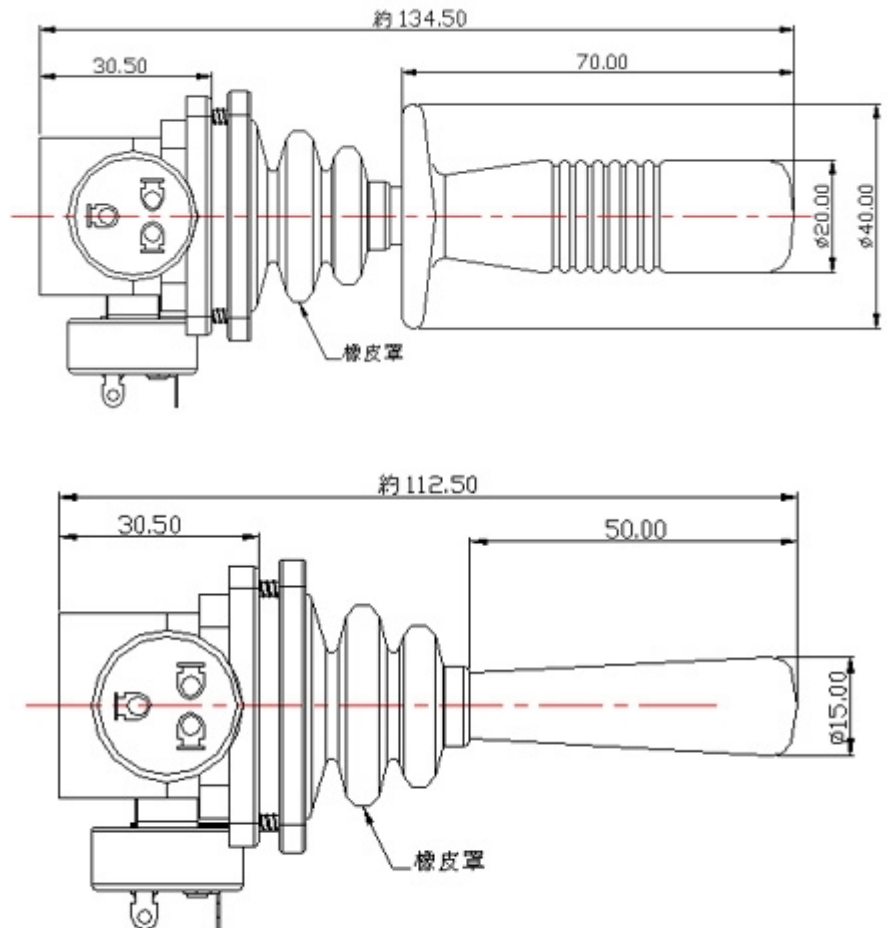
Dimensions(規格圖):



Type of Lever(搖柄規格圖):







Specifications(規格)

Electrical Characteristics [電氣性能]

Total resistance [全阻抗值]	10KΩ±20%
Total resistance tolerance [全阻抗值容許差]	±30%
Ratings power(w) [額定功率]	0.1W
Resistance taper [阻抗變化特性]	B
Residual resistance [殘留阻值]	全阻值 3%Ω Max.
Sliding noise [滑動雜音]	300mV Max
Insulation resistance [絕緣阻抗]	>500MΩ (250V.D.C.)
Withstanding voltage [耐電壓]	1 minute at AC 250V
Max. operating voltage [最高使用電壓]	AC 50V

Mechanical Characteristics [機械性能]

Operation torque [回轉力矩]	150~200gf.cm
Rotation stopper strength [止動強度]	3Kgf.cm Min
Switch Travel [開關移動量]	0.5 mm

Endurance Characteristics [耐久性能]

Rotational life [回轉壽命]	More than 3,000,000 cycles
--------------------------	----------------------------