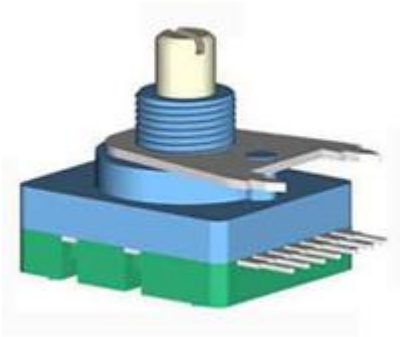


Model(型號): ROPOSITION ROUTE SWITCHES-----RR22P11501

[Download PDF file](#)



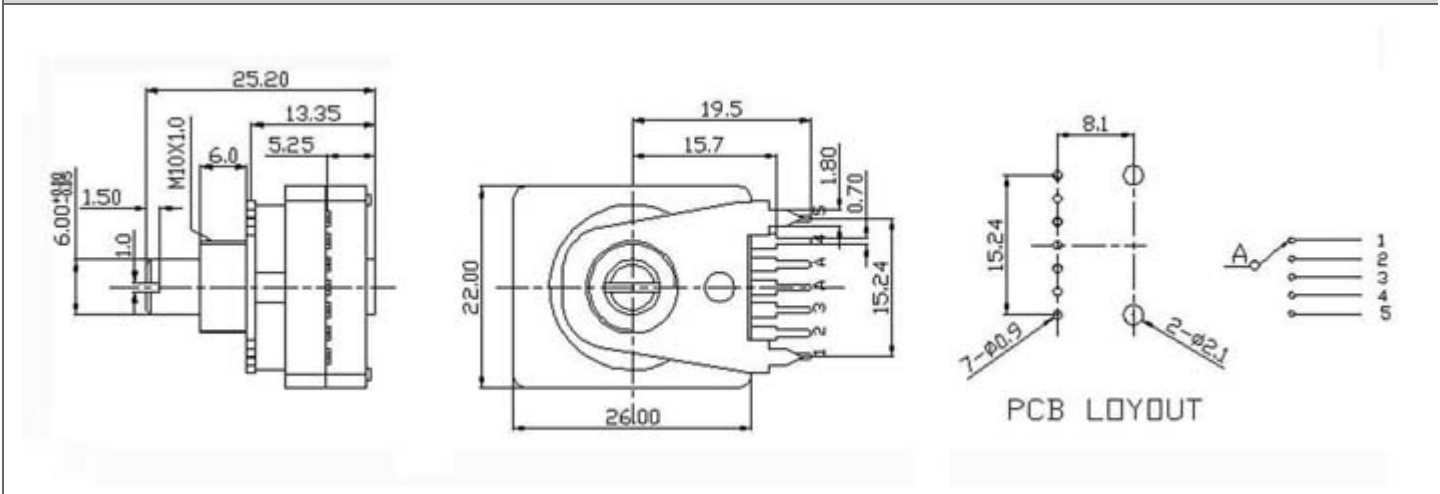
Features:

- Hard tumbler switch in common use
- Have dustproof functions

Applications:

- FA machine, measuring instrument, various kinds of electronic equipment , such as air conditioner , the electronic musical instrument , stereo switch ,etc.

Dimensions(規格圖):



Operating Force:

ITEMS[項目]	RR25P/RR25A/RR30P	RR22P	RR10A
一:Electrical Characteristics:[電器性能]			
Initial contact resistance[額定值]	30MΩ	150MΩ	50MΩ
Operation force[操作力]	1.5±0.5kg.cm	5Ncm±20%	153±71gf.cm
Insulation resistance[絕緣阻抗]	20MΩ Min.500V DC		100Ω Min.100V DC
Withstand resistance[耐電壓]	500V AC for 1 minute		100V AC for 1 minute
Rotational life[回轉壽命]	10,000 cycles		