

I Feature

Various high power inductors are superior to be high saturation for surface mounting

特性

具有高功率、強飽和電流、低阻抗、表面貼裝

I APPLICATIONS

LCD monitor

用途

液晶顯示器

I ELECTRICAL SPECIFICATION (電氣特性)

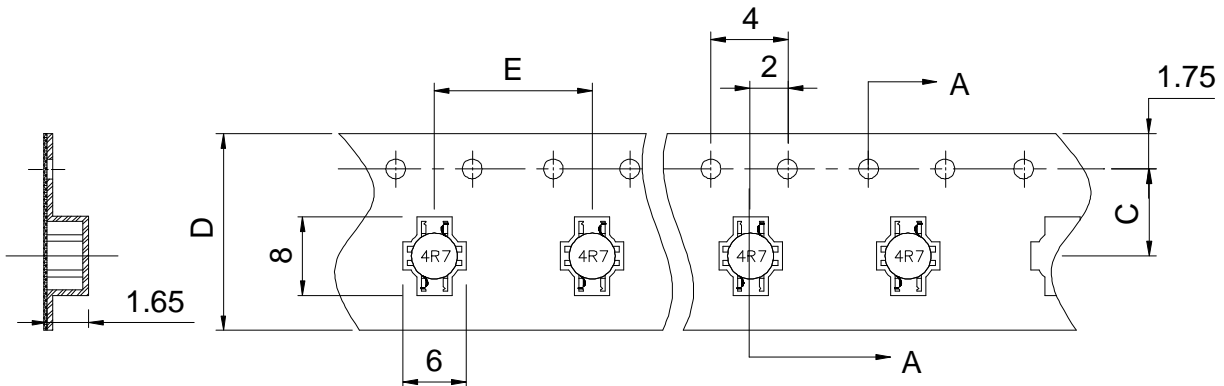
PART NO	L(uH)	DCR MAX. (Ω)	IDC1 MAX(A)
SPDR655312-2R2M	2.2±20%	0.117	1.20
SPDR655312-3R3M	3.3±20%	0.186	0.96
SPDR655312-4R7M	4.7±20%	0.228	0.90
SPDR655312-6R8M	6.8±20%	0.288	0.80
SPDR655312-100M	10±20%	0.450	0.60
SPDR655312-160M	16±20%	0.552	0.55
SPDR655312-220M	22±20%	0.780	0.50
SPDR655312-330M	33±20%	1.098	0.42
SPDR655312-470M	47±20%	1.656	0.34

I PART NUMBERING SYSTEM (品名規定)

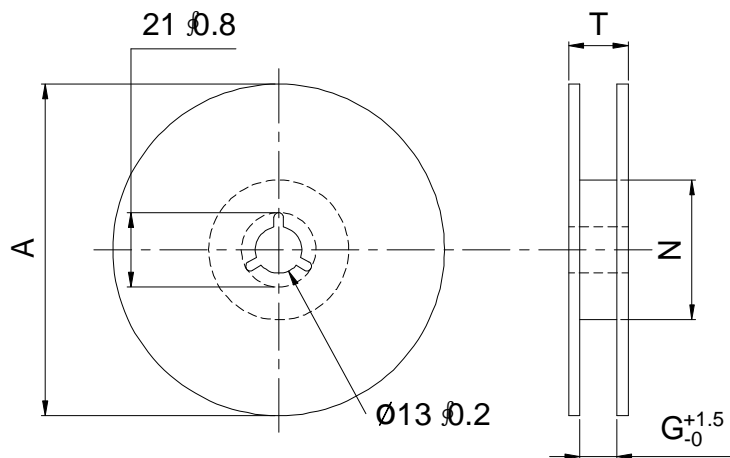
<u>S P D R</u>	<u>6 5 5 3 1 2</u>	-	<u>1 0 0</u>	<u>M</u>
1	2		3	4
UNSHIELDED SMD POWER INDUCTOR	DIMENSIONS (长*宽*高)		INDUTANCE $10 \times 10^0 = 10\mu\text{H}$	TOLERANCE J: ±5% K: ±10% L: ±15% M: ±20% P: ±25% N: ±30
开磁路贴片式功率电感 (DR 型磁芯)	尺寸		電感值	公差

I PACKING

1. CARRIER



2. REEL



3. PACKING DIMENSIONS AND QUANTITY

(UNIT:mm)

PART NO	A	C	D	E	G	N	T	PCS/REEL
SPDR 655312	178	7.5	16	8	16.5	60	20.4	1000

