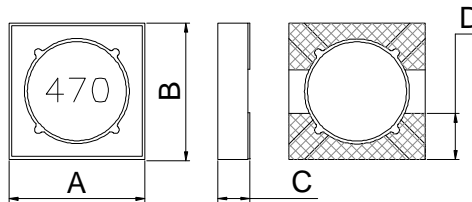
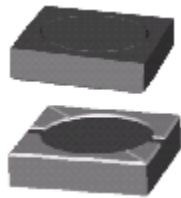


SPRI SERIES

SHIEDED SMD POWER INDUCTORS

MECHANICALS

CONSTRUCTION



I FEATURE

1. Five sizes of shielded drum core inductances with low profiles (as low as 1.2mm) and high power density.
2. Inductance range : 0.47uH to 1000uH .
3. Current range : 6.00 Amps to 0.094Amps
4. Ferrite shielded ,low EMI

I APPLICATIONS

1. Digital cameras, CD players, cellular phones, and PDAs

I DIMENSIONS (mm)

| TYPE | A | B | C | D (REF) |
|------------|---------|---------|----------|---------|
| SPRI383807 | 3.8±0.1 | 3.8±0.1 | 0.7 ±0.1 | 1.2 |
| SPRI383815 | 3.8±0.1 | 3.8±0.1 | 1.5±0.1 | 1.2 |
| SPRI383820 | 3.8±0.1 | 3.8±0.1 | 2.0±0.1 | 1.2 |
| SPRI383832 | 3.8±0.1 | 3.8±0.1 | 3.2±0.1 | 1.2 |

特性

1. 具有小側面高功率密度(低至 1.2mm)5 種尺寸屏蔽式電感
2. 電感範圍: 0.47 微亨 to 1000 微亨
3. 電流範圍: 6.00 安培 to 0.094 安培
4. 鐵氧體屏蔽, 低電磁干擾

用途

1. 數碼相機, CD 機, 微型電話, 掌中寶

I PART NUMBERING SYSTEM (品名規定)

| | | | | |
|---------------------------|---------------|---|--------------------------|------------------------|
| <u>SPRI</u> | <u>383807</u> | - | <u>100</u> | <u>M</u> |
| 1 | 2 | | 3 | 4 |
| SHIELDED SMT | DIMENSIONS | | INDUTANCE | TOLERANCE |
| POWER INDUCTORS | A、B、C DIM | | 10*10 ⁰ =10uH | J: ±5% K: ±10% L: ±15% |
| | | | | M: ±20% P: ±25% N: ±30 |
| 閉磁路贴片式功率电感 (DR+RI 型磁芯) | 尺寸 | | 電感值 | 公差 |

I ELECTRICAL SPECIFICATIONS

| PART NUMBER | Rated Inductance (μH) | OCL (μH) | I _{rms} Amperess | I _{sat} Amperess | DCR (Ω) | Volt U-sec |
|-----------------|-----------------------|----------|---------------------------|---------------------------|---------|------------|
| SPRI383807-R47M | 0.47 | 0.49 | 3.19 | 3.86 | 0.025 | 1.670 |
| SPRI383807-1R2M | 1.20 | 1.21 | 2.62 | 2.45 | 0.037 | 2.62 |
| SPRI383807-1R5M | 1.50 | 1.69 | 2.19 | 2.08 | 0.052 | 3.09 |
| SPRI383807-2R2M | 2.20 | 2.25 | 1.83 | 1.80 | 0.075 | 3.57 |
| SPRI383807-3R3M | 3.30 | 3.61 | 1.55 | 1.42 | 0.104 | 4.52 |
| SPRI383807-4R7M | 4.70 | 4.41 | 1.46 | 1.29 | 0.118 | 5.00 |
| SPRI383807-6R2M | 6.20 | 6.25 | 1.21 | 1.08 | 0.170 | 5.95 |
| SPRI383807-8R2M | 8.20 | 8.41 | 1.021 | 0.931 | 0.240 | 6.90 |
| SPRI383807-100M | 10.0 | 10.89 | 0.938 | 0.818 | 0.284 | 7.85 |
| SPRI383807-150M | 15.0 | 15.21 | 0.782 | 0.692 | 0.409 | 9.28 |
| SPRI383807-220M | 22.0 | 22.09 | 0.628 | 0.574 | 0.634 | 11.19 |
| SPRI383807-330M | 33.0 | 32.49 | 0.519 | 0.474 | 0.929 | 13.57 |
| SPRI383807-470M | 47.0 | 47.61 | 0.428 | 0.391 | 1.37 | 16.42 |
| SPRI383807-680M | 68.0 | 68.89 | 0.341 | 0.325 | 2.16 | 19.75 |
| SPRI383807-820M | 82.0 | 82.81 | 0.326 | 0.297 | 2.36 | 21.66 |
| SPRI383807-101M | 100 | 98.0 | 0.308 | 0.273 | 2.64 | 23.56 |
| SPRI383807-151M | 150 | 151.3 | 0.251 | 0.220 | 3.96 | 29.27 |
| SPRI383807-221M | 220 | 222.0 | 0.229 | 0.181 | 4.76 | 35.46 |
| SPRI383807-331M | 330 | 334.9 | 0.186 | 0.148 | 7.25 | 43.55 |
| SPRI383807-471M | 470 | 462.3 | 0.167 | 0.126 | 8.95 | 51.17 |
| SPRI383807-681M | 680 | 670.8 | 0.149 | 0.104 | 11.30 | 61.64 |
| SPRI383807-821M | 820 | 800.9 | 0.129 | 0.095 | 14.93 | 67.35 |
| SPRI383807-102M | 1000 | 992.3 | 0.121 | 0.086 | 17.20 | 74.97 |
| SPRI383815-R47M | 0.47 | 0.49 | 3.58 | 4.63 | 0.020 | 1.62 |
| SPRI383815-R82M | 0.82 | 0.81 | 3.24 | 3.60 | 0.025 | 2.09 |
| SPRI383815-1R2M | 1.20 | 1.21 | 2.97 | 2.95 | 0.029 | 2.55 |
| SPRI383815-1R5M | 1.50 | 1.69 | 2.73 | 2.49 | 0.036 | 3.02 |
| SPRI383815-2R2M | 2.20 | 2.25 | 2.55 | 2.16 | 0.040 | 3.48 |
| SPRI383815-3R3M | 3.30 | 3.61 | 2.07 | 1.71 | 0.060 | 4.41 |
| SPRI383815-4R7M | 4.70 | 4.41 | 1.77 | 1.54 | 0.082 | 4.87 |
| SPRI383815-6R2M | 6.20 | 6.25 | 1.61 | 1.30 | 0.100 | 5.80 |
| SPRI383815-8R2M | 8.20 | 8.41 | 1.38 | 1.12 | 0.135 | 6.73 |
| SPRI383815-100M | 10.0 | 10.89 | 1.28 | 0.98 | 0.158 | 7.66 |

I ELECTRICAL SPECIFICATIONS

| PART NUMBER | Rated Inductance (μH) | OCL (μH) | I _{rms} Amperess | I _{sat} Amperess | DCR (Ω) | Volt U-sec |
|-----------------|-----------------------|----------|---------------------------|---------------------------|---------|------------|
| SPRI383815-150M | 15.0 | 15.21 | 1.06 | 0.83 | 0.228 | 9.05 |
| SPRI383815-220M | 22.0 | 22.09 | 0.88 | 0.69 | 0.337 | 10.90 |
| SPRI383815-330M | 33.0 | 32.49 | 0.72 | 0.57 | 0.506 | 13.22 |
| SPRI383815-470M | 47.0 | 47.61 | 0.58 | 0.47 | 0.773 | 16.01 |
| SPRI383815-680M | 68.0 | 68.89 | 0.51 | 0.39 | 0.98 | 19.26 |
| SPRI383815-820M | 82.0 | 82.81 | 0.45 | 0.36 | 1.30 | 21.11 |
| SPRI383815-101M | 100 | 98.0 | 0.42 | 0.32 | 1.47 | 23.43 |
| SPRI383815-151M | 150 | 151.3 | 0.36 | 0.26 | 2.18 | 27.54 |
| SPRI383815-221M | 220 | 222.0 | 0.30 | 0.22 | 2.95 | 34.57 |
| SPRI383815-331M | 330 | 334.9 | 0.25 | 0.18 | 4.20 | 42.46 |
| SPRI383815-471M | 470 | 462.3 | 0.20 | 0.15 | 6.39 | 5.81 |
| SPRI383815-681M | 680 | 670.8 | 0.17 | 0.12 | 9.28 | 60.55 |
| SPRI383815-821M | 820 | 800.9 | 0.15 | 0.11 | 12.35 | 66.58 |
| SPRI383815-102M | 1000 | 992.3 | 0.14 | 0.10 | 14.01 | 73.54 |
| SPRI383820-R47M | 0.47 | 0.49 | 3.59 | 4.00 | 0.020 | 1.46 |
| SPRI383820-1R2M | 1.20 | 1.21 | 3.07 | 2.55 | 0.028 | 2.29 |
| SPRI383820-1R5M | 1.50 | 1.69 | 2.88 | 2.15 | 0.031 | 2.70 |
| SPRI383820-2R2M | 2.20 | 2.25 | 2.45 | 1.87 | 0.043 | 3.12 |
| SPRI383820-3R3M | 3.30 | 3.61 | 2.17 | 1.47 | 0.055 | 3.95 |
| SPRI383820-4R7M | 4.70 | 4.41 | 2.05 | 1.33 | 0.061 | 4.37 |
| SPRI383820-6R2M | 6.20 | 6.25 | 1.89 | 1.12 | 0.072 | 5.20 |
| SPRI383820-8R2M | 8.20 | 8.41 | 1.61 | 0.97 | 0.100 | 6.03 |
| SPRI383820-100M | 10.0 | 9.61 | 1.53 | 0.90 | 0.110 | 6.45 |
| SPRI383820-150M | 15.0 | 15.21 | 1.25 | 0.72 | 0.166 | 2.11 |
| SPRI383820-220M | 22.0 | 22.09 | 1.12 | 0.60 | 0.205 | 9.78 |
| SPRI383820-330M | 33.0 | 32.49 | 0.91 | 0.49 | 0.310 | 11.86 |
| SPRI383820-470M | 47.0 | 47.61 | 0.75 | 0.41 | 0.465 | 14.35 |
| SPRI383820-680M | 68.0 | 68.89 | 0.61 | 0.34 | 0.695 | 17.26 |
| SPRI383820-820M | 82.0 | 82.81 | 0.58 | 0.31 | 0.779 | 18.93 |
| SPRI383820-101M | 100 | 98.01 | 0.50 | 0.28 | 1.06 | 20.59 |
| SPRI383820-151M | 150 | 151.3 | 0.44 | 0.23 | 1.37 | 25.58 |
| SPRI383820-221M | 220 | 222.0 | 0.36 | 0.19 | 2.04 | 30.99 |
| SPRI383820-331M | 330 | 327.6 | 0.29 | 0.16 | 2.99 | 37.65 |

I ELECTRICAL SPECIFICATIONS

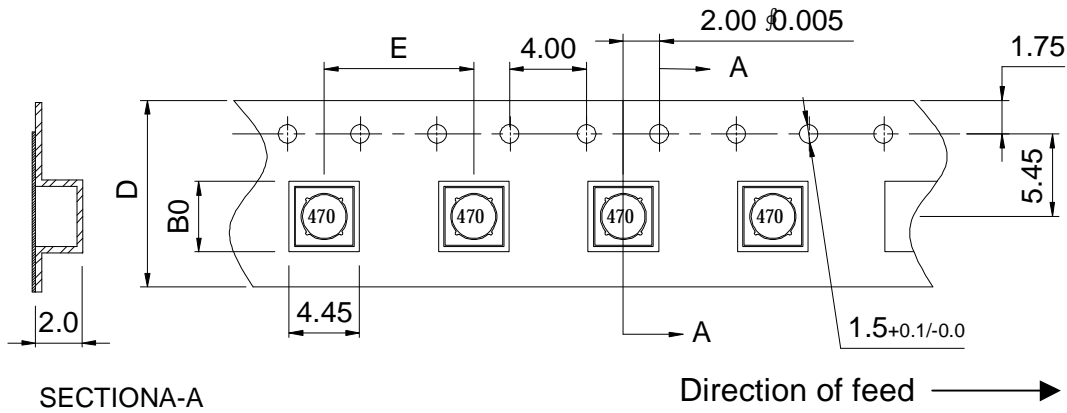
| PART NUMBER | Rated Inductance (μH) | OCL (μH) | I _{rms} Amperess | I _{sat} Amperess | DCR (Ω) | Volt U-sec |
|-----------------|-----------------------|----------|---------------------------|---------------------------|---------|------------|
| SPRI383820-471M | 470 | 470.9 | 0.26 | 0.13 | 3.74 | 45.14 |
| SPRI383820-681M | 680 | 681.2 | 0.22 | 0.11 | 5.56 | 54.29 |
| SPRI383820-821M | 820 | 823.7 | 0.20 | 0.10 | 6.22 | 59.70 |
| SPRI383820-102M | 1000 | 1004.9 | 0.17 | 0.09 | 8.73 | 65.94 |
| SPRI383832-R47M | 0.47 | 0.49 | 3.88 | 6.00 | 0.018 | 1.46 |
| SPRI383832-R82M | 0.82 | 0.77 | 3.58 | 4.67 | 0.021 | 1.87 |
| SPRI383832-1R2M | 1.20 | 1.21 | 3.33 | 3.81 | 0.024 | 2.29 |
| SPRI383832-1R5M | 1.50 | 1.69 | 3.12 | 3.23 | 0.027 | 2.70 |
| SPRI383832-2R2M | 2.20 | 2.25 | 2.93 | 2.80 | 0.031 | 3.12 |
| SPRI383832-3R3M | 3.30 | 3.61 | 2.64 | 2.21 | 0.038 | 3.95 |
| SPRI383832-4R7M | 4.70 | 4.41 | 2.39 | 1.83 | 0.047 | 4.78 |
| SPRI383832-6R2M | 6.20 | 6.25 | 2.19 | 1.56 | 0.056 | 5.62 |
| SPRI383832-8R2M | 8.20 | 8.41 | 1.92 | 1.45 | 0.072 | 6.03 |
| SPRI383832-100M | 10.0 | 9.61 | 1.80 | 1.27 | 0.082 | 6.86 |
| SPRI383832-150M | 15.0 | 15.21 | 1.67 | 1.08 | 0.096 | 8.11 |
| SPRI383832-220M | 22.0 | 22.09 | 1.34 | 0.86 | 0.148 | 10.19 |
| SPRI383832-330M | 33.0 | 32.49 | 1.11 | 0.71 | 0.215 | 12.27 |
| SPRI383832-470M | 47.0 | 47.61 | 0.92 | 0.59 | 0.316 | 14.77 |
| SPRI383832-680M | 68.0 | 68.89 | 0.74 | 0.48 | 0.485 | 17.68 |
| SPRI383832-820M | 82.0 | 82.81 | 0.71 | 0.44 | 0.524 | 19.34 |
| SPRI383832-101M | 100 | 98.01 | 0.67 | 0.40 | 0.594 | 21.42 |
| SPRI383832-151M | 150 | 151.3 | 0.55 | 0.33 | 0.872 | 26.00 |
| SPRI383832-221M | 220 | 222.0 | 0.45 | 0.27 | 1.34 | 31.82 |
| SPRI383832-331M | 330 | 327.6 | 0.36 | 0.22 | 2.07 | 38.90 |
| SPRI383832-471M | 470 | 470.9 | 0.29 | 0.18 | 3.10 | 46.38 |
| SPRI383832-681M | 680 | 681.2 | 0.26 | 0.15 | 3.88 | 55.54 |
| SPRI383832-821M | 820 | 823.7 | 0.23 | 0.14 | 5.04 | 61.36 |
| SPRI383832-102M | 1000 | 1004.9 | 0.22 | 0.13 | 5.70 | 67.60 |

1. Open circuit inductance test parameters:100KHz0.25Vrms,0.0ADC
2. RMS current for an approximate Δ t of 40°C without core loss. It suggested that the temperature Of the part not exceed 125°C
3. peak current for approximate 30% roll off at 20°C
4. DCR limit@20°C
5. Applied volt –time product(V-US)across the inductor. This value represents the applied V-US at 100KHz necessary to generate a core loss equal to 10% the total losses for temperature rise.

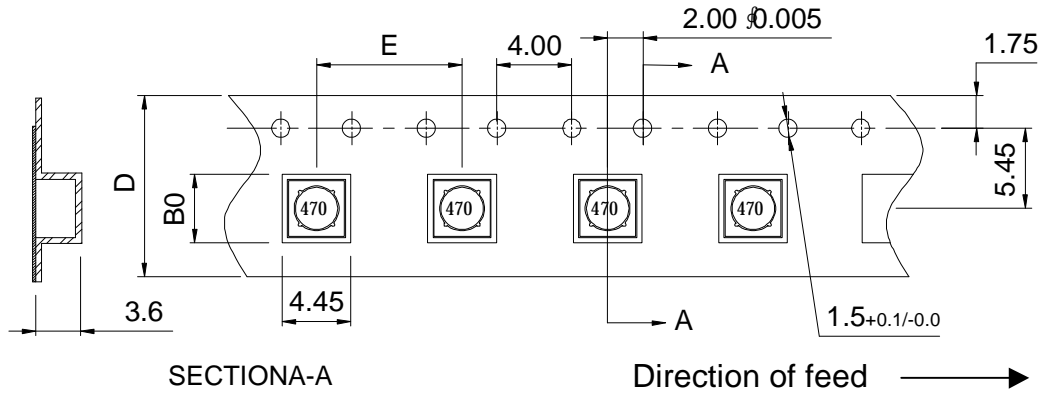


I PACKING

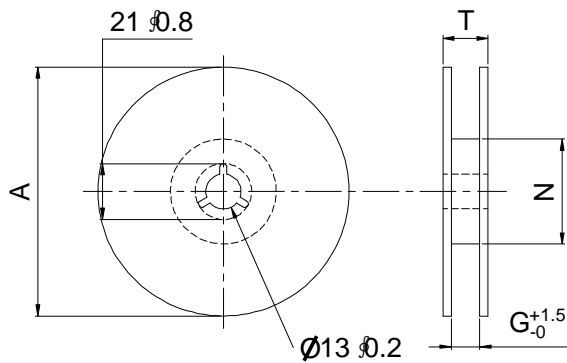
1. SPRI383807/15 SERIES



2. SPRI383820/32 SERIES



3. REEL



4. PACKING QUANTITY

| PART NO. | A | B0 | D | E | G | T | PCS/REEL |
|---------------|-----|------|----|-----|------|------|----------|
| SPRI383807/15 | 330 | 4.45 | 16 | 8.0 | 16.4 | 20.4 | 2000 |
| SPRI383820/32 | 330 | 4.45 | 16 | 8.0 | 16.4 | 20.4 | 1000 |