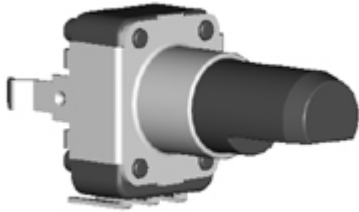


Model(型號): 電位器(轉旋式)-----R09A11H11

[▶ 下載PDF文檔](#)



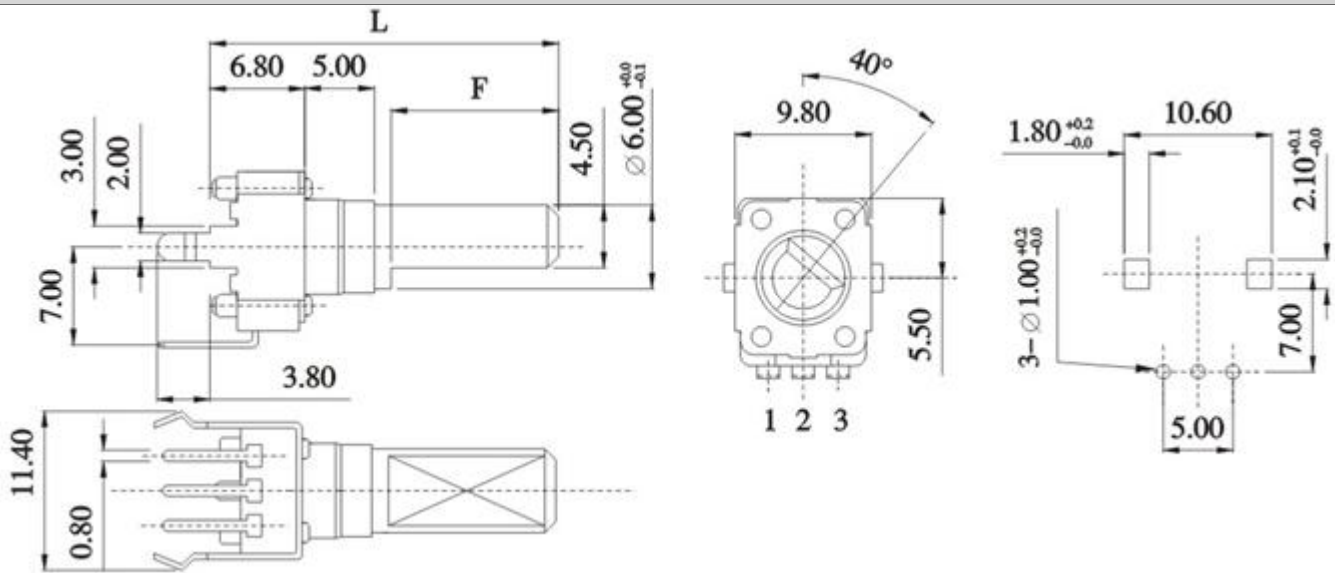
**特點:**

經過改良的防塵、防水設計，結構簡約，外徑只有9.8mm，是高密度的固定設計的理想之選。

**作用:**

適用於作為多種音頻產品、視頻產品、電子音樂器械等的調節裝置。

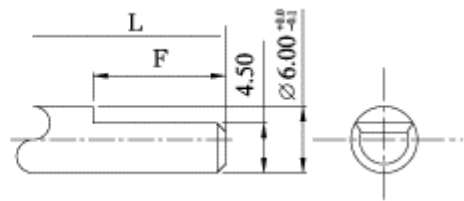
**Dimensions(規格圖):**



**TYPE OF KNOB**

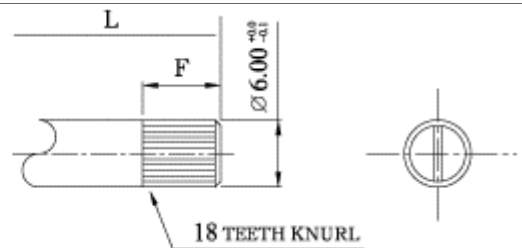
**F Type**

|   |    |    |    |    |    |
|---|----|----|----|----|----|
| L | 15 | 20 | 25 | 30 | 35 |
| F | 6  | 7  | 12 | 12 | 12 |



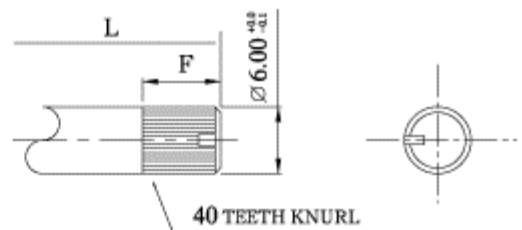
**K Type**

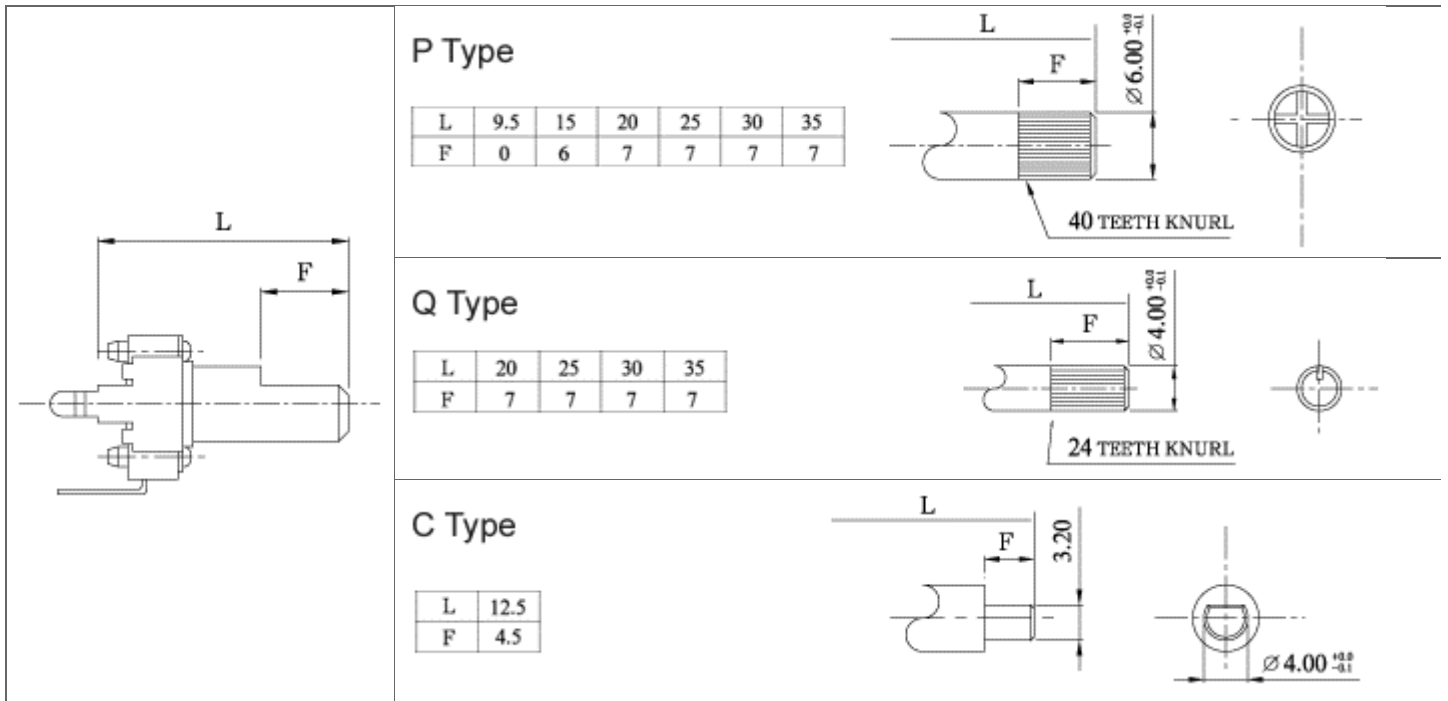
|   |    |    |    |    |
|---|----|----|----|----|
| L | 20 | 25 | 30 | 35 |
| F | 7  | 7  | 7  | 7  |



**E Type**

|   |    |    |    |    |    |
|---|----|----|----|----|----|
| L | 15 | 20 | 25 | 30 | 35 |
| F | 6  | 7  | 7  | 7  | 7  |





## Specifications(規格)

### Electrical Characteristics [電氣性能]

|                                      |  |
|--------------------------------------|--|
| Total resistance [全阻抗値]              | 100Ω - 1MΩ   |
| Total resistance tolerance [全阻抗値容許差] | ±20%   |
| Ratings power(w) [額定功率]              | 0.05W  |
| Resistance taper [阻抗變化特性]            | A,B, *C,D,W  |
| Residual resistance [殘留阻値]           | R < 5KΩ 10Ω Max.<br>5KΩ ≤ R ≤ 10KΩ 50Ω Max.<br>10KΩ < R ≤ 50KΩ 70Ω Max.<br>50KΩ < R ≤ 100KΩ 120Ω Max.<br>100KΩ < R ≤ 1MΩ 320Ω Max. |
| Sliding noise [滑動雜音]                 | 100mV Max.   |
| Withstanding voltage [耐電壓]           | 1 minute at AC 250V  |
| Gang error [連動誤差]                    | -40dB ~ 0dB ±3dB Max.  |
| Insulation resistance [絕緣阻抗]         | 100MΩ Min. at DC 100V.   |
| Max. operating voltage [最高使用電壓]      | AC 50V , DC 12V  |

### Mechanical Characteristics [機械性能]

|                                  |                  |
|----------------------------------|------------------|
| Operation torque [回轉力矩]          | 10~80gf . cm     |
| Rotation stopper strength [止動強度] | 3.0Kgf . cm Min. |
| Total rotational angle [回轉角度]    | 280 ±5°          |

### Endurance Characteristics [耐久性能]

|                        |                         |
|------------------------|-------------------------|
| Rotational life [回轉壽命] | More than 10,000 cycles |
|------------------------|-------------------------|