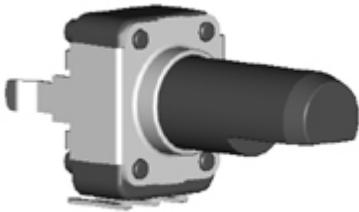


Model(型號): 電位器(旋轉式)-----R09A11H21

[▶ 下載PDF文檔](#)



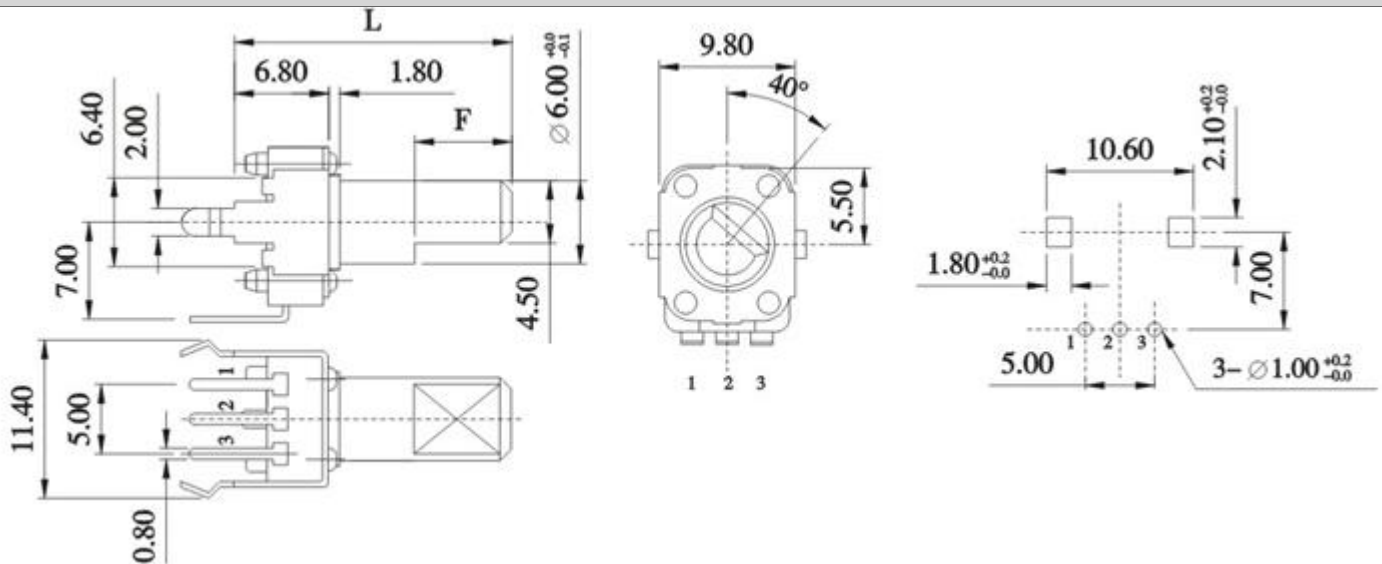
特點:

經過改良的防塵、防水設計，結構簡約，外徑只有9.8mm，是高密度的固定設計的理想之選。

作用:

適用於作為多種音頻產品、視頻產品、電子音樂器械等的調節裝置。

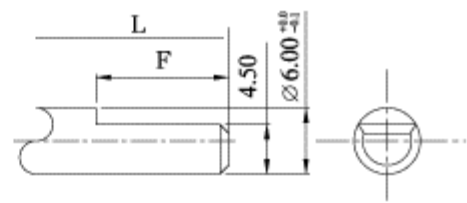
Dimensions(規格圖):



TYPE OF KNOB

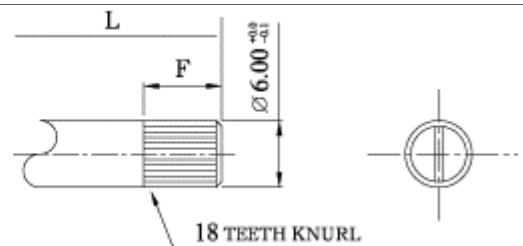
F Type

| | | | | | |
|---|----|----|----|----|----|
| L | 15 | 20 | 25 | 30 | 35 |
| F | 6 | 7 | 12 | 12 | 12 |



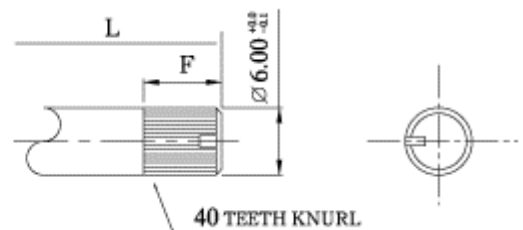
K Type

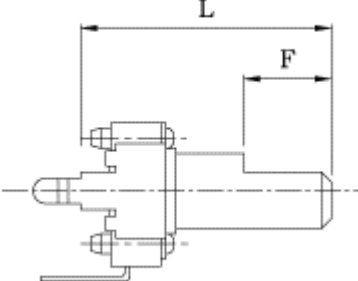
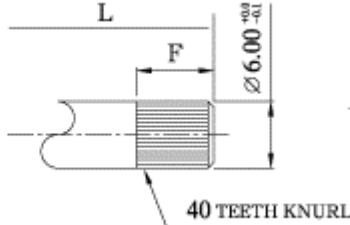

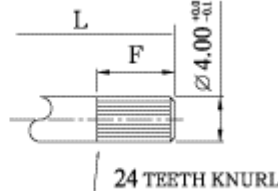

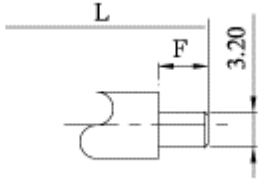
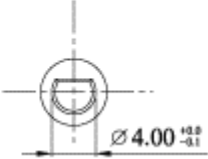
| | | | | |
|---|----|----|----|----|
| L | 20 | 25 | 30 | 35 |
| F | 7 | 7 | 7 | 7 |



E Type

| | | | | | |
|---|----|----|----|----|----|
| L | 15 | 20 | 25 | 30 | 35 |
| F | 6 | 7 | 7 | 7 | 7 |



| | | | | | | | | | | | | | | | | | |
|--|--|---|---|----|-----|----|----|----|---|---|---|---|---|---|---|--|--|
|  | P Type |  |  | | | | | | | | | | | | | | |
| | <table border="1"> <tr> <td>L</td> <td>9.5</td> <td>15</td> <td>20</td> <td>25</td> <td>30</td> <td>35</td> </tr> <tr> <td>F</td> <td>0</td> <td>6</td> <td>7</td> <td>7</td> <td>7</td> <td>7</td> </tr> </table> | L | 9.5 | 15 | 20 | 25 | 30 | 35 | F | 0 | 6 | 7 | 7 | 7 | 7 | | |
| | L | 9.5 | 15 | 20 | 25 | 30 | 35 | | | | | | | | | | |
| F | 0 | 6 | 7 | 7 | 7 | 7 | | | | | | | | | | | |
| Q Type |  |  | | | | | | | | | | | | | | | |
| | <table border="1"> <tr> <td>L</td> <td>20</td> <td>25</td> <td>30</td> <td>35</td> </tr> <tr> <td>F</td> <td>7</td> <td>7</td> <td>7</td> <td>7</td> </tr> </table> | L | 20 | 25 | 30 | 35 | F | 7 | 7 | 7 | 7 | | | | | | |
| L | 20 | 25 | 30 | 35 | | | | | | | | | | | | | |
| F | 7 | 7 | 7 | 7 | | | | | | | | | | | | | |
| | C Type |  |  | | | | | | | | | | | | | | |
| | <table border="1"> <tr> <td>L</td> <td>12.5</td> </tr> <tr> <td>F</td> <td>4.5</td> </tr> </table> | L | 12.5 | F | 4.5 | | | | | | | | | | | | |
| L | 12.5 | | | | | | | | | | | | | | | | |
| F | 4.5 | | | | | | | | | | | | | | | | |

Specifications(規格)

Electrical Characteristics [電氣性能]

| | |
|--------------------------------------|--|
| Total resistance [全阻抗値] | 100Ω - 1MΩ |
| Total resistance tolerance [全阻抗値容許差] | ±20% |
| Ratings power(w) [額定功率] | 0.05W |
| Resistance taper [阻抗變化特性] | A,B, *C,D,W |
| Residual resistance [殘留阻値] | R < 5KΩ 10Ω Max. 5KΩ ≤ R ≤ 10KΩ 50Ω Max. 10KΩ < R ≤ 50KΩ 70Ω Max. 50KΩ < R ≤ 100KΩ 120Ω Max. 100KΩ < R ≤ 1MΩ 320Ω Max. |
| Sliding noise [滑動雜音] | 100mV Max. |
| Withstanding voltage [耐電壓] | 1 minute at AC 250V |
| Gang error [連動誤差] | -40dB ~ 0dB ±3dB Max. |
| Insulation resistance [絕緣阻抗] | 100MΩ Min. at DC 100V. |
| Max. operating voltage [最高使用電壓] | AC 50V , DC 12V |

Mechanical Characteristics [機械性能]

| | |
|----------------------------------|------------------|
| Operation torque [回轉力矩] | 10~80gf . cm |
| Rotation stopper strength [止動強度] | 3.0Kgf . cm Min. |
| Total rotational angle [回轉角度] | 280 ±5° |

Endurance Characteristics [耐久性能]

| | |
|------------------------|-------------------------|
| Rotational life [回轉壽命] | More than 10,000 cycles |
|------------------------|-------------------------|