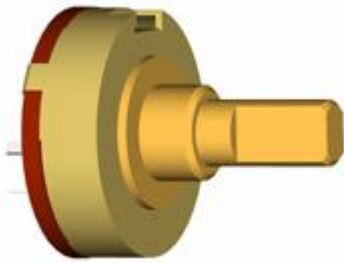


Model(型號): 旋轉式-----R13A11AB1

▶ 下載PDF文檔



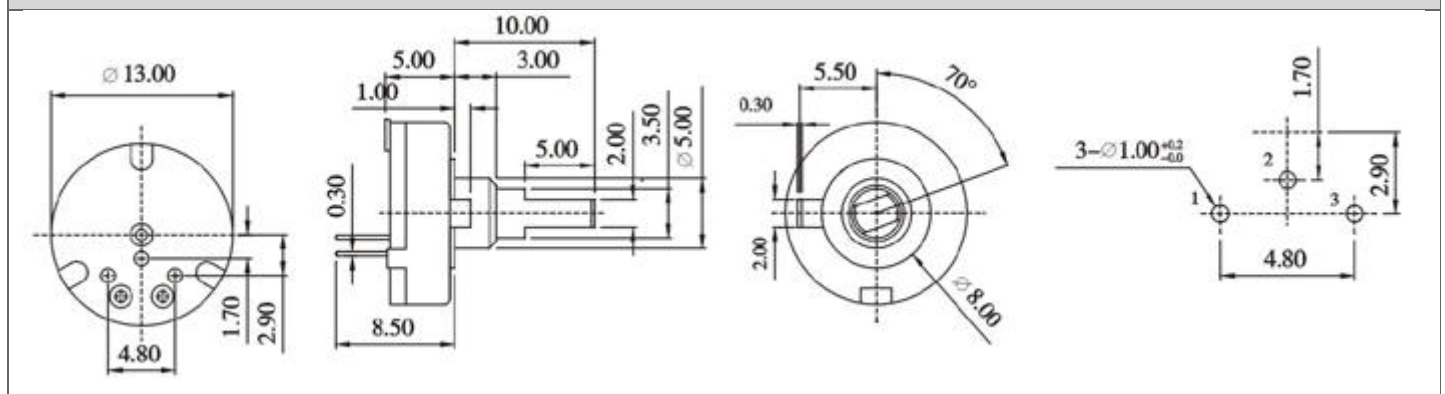
特點:

小體積，高可靠性，達到15gf.cm回轉力矩。

作用:

遙遠控制電路。

Dimensions(規格圖):



Specifications(規格)

Electrical Characteristics [電氣性能]	
Total resistance [全阻抗值]	500Ω~1MΩ
Total resistance tolerance [全阻抗值容許差]	±20%
Ratings power(w) [額定功率]	B curve 0.1W,except B 0.04W
Restings taper[阻抗變化特性]	A,B,*C
Residual resistance [殘留阻值]	100Ω
Sliding noise [滑動雜音]	100mV Max.
Withstanding voltage [耐電壓]	1 minute at AC 500V
Insulation resistance [絕緣阻抗]	50MΩ Min. at DC 500V.
Withstanding voltage	1 mainute at AC 500V
Max. operating voltage [最高使用電壓]	linear Taper B AC 200V, except B AC 100V.
Mechanical Characteristics [機械性能]	
Overall rotational angle	220 ±10°
Operation torque [回轉力矩]	10~100gf . cm
Rotation stopper strength [止動強度]	3.0Kgf . cm Min.
Push-pull strength[推 拉強度]	5.0Kgf . cm Min.
Endurance Characteristics [耐久性能]	
Rotational life [回轉壽命]	More than100,000 cycles