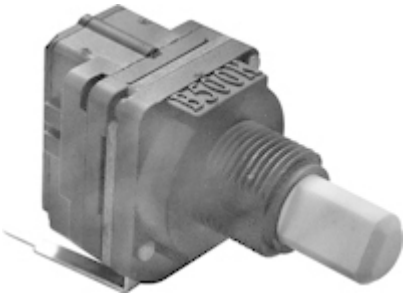


Model(型號): **ROTARY POTENTIOMETER-----R15S11CP1**

[▶ Download PDF file](#)



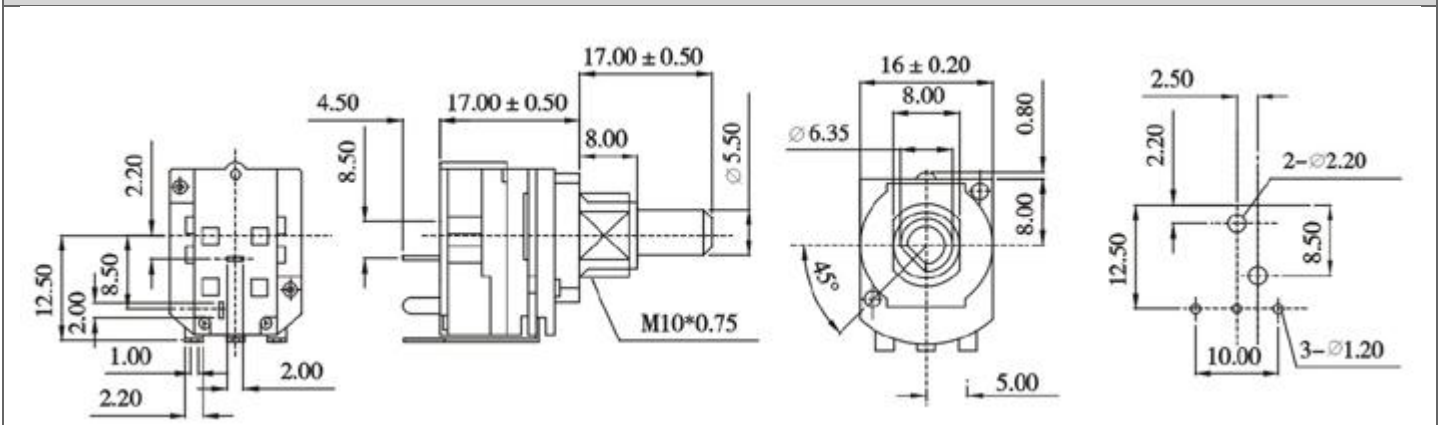
Features:(特點):

Small size ,high dependability, resistance ip to 15gf/cm

Applications(作用):

Remote control circuit.

Dimensions(規格圖):



Specifications(規格)

Electrical Characteristics [電氣性能]	
Total resistance [全阻抗值]	1Ω~2MΩ
Total resistance tolerance [全阻抗值容許差]	±20%
Ratings power(w) [額定功率]	B curve 0.033W,except B 0.017W
Restings taper[阻抗變化特性]	A,B,*C
Residual resistance [殘留阻值]	Less than 1%of total resistance
Sliding noise [滑動雜音]	47mV Max.
Withstanding voltage [耐電壓]	AC4200V.(交流峰值)
Insulation resistance [絕緣阻抗]	1GΩ Min. at DC 500V.
Max. operating voltage [最高使用電壓]	linear Taper B AC 200V, except B AC 150V.
Mechanical Characteristics [機械性能]	
Overall rotational angle	270 ±10°
Operation torque [回轉力矩]	20~150gf . cm
Rotation stopper strength [止動強度]	6.0Kgf . cm Min.
Push-pull strength[推 拉強度]	6.0Kgf . cm Min.
Endurance Characteristics [耐久性能]	
Rotational life [回轉壽命]	More than10,000 cycles