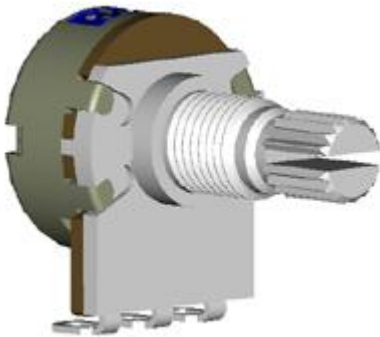


Model(型號): 旋轉式-----R16311AP2

[▶ 下載PDF文檔](#)



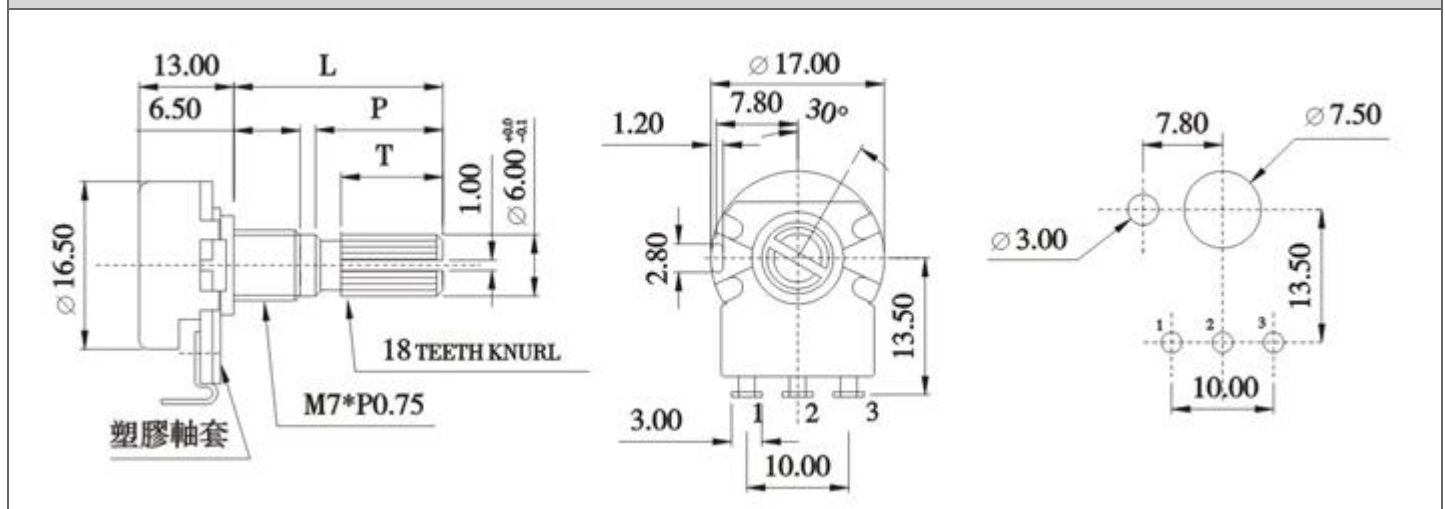
**特點:**

超好的操作手感，是所有音頻產品的理想之選。

**作用:**

適用於普通的消費類電子產品、自動裝置設備和器材、工業機器等的控制。

**Dimensions(規格圖):**



**Specifications( 規格)**

|  |   |
|--|---|
| Total resistance [ 全阻抗值 ]                  | 100Ω~2MΩ                                  |
| Total resistance tolerance [ 全阻抗值容許差 ]     | ±20%                                      |
| Ratings power(w) [ 額定功率 ]                  | B curve 0.1W,except B 0.05W               |
| Restings taper[阻抗變化特性]                     | A,B,*C,D,W,RD                             |
| Residual resistance [殘留阻值]                 | 10ΩMax.                                   |
| Sliding noise [滑動雜音]                       | 47mV Max.                                 |
| Withstanding voltage [耐電壓]                 | 1 minute at AC 500V                       |
| Insulation resistance [絕緣阻抗]               | 100MΩ Min. at DC 500V.                    |
| Max. operating voltage [最高使用電壓]            | linear Taper B AC 200V, except B AC 150V. |
| Gang error:[運動誤差]                          | -40dB~0dB ±3dB Max.                       |
| Switch contact resistance[開關的接觸阻抗]         | less than 0.5mΩ                           |
| Switch Ratings power                       | 1A at AC /DC 12V                          |
| <b>Mechanical Characteristics [ 機械性能 ]</b> |   |
| Operation torque [ 回轉力矩 ]                  | 30~250gf . cm                             |
| Rotation stopper strength [ 止動強度 ]         | 6.0Kgf . cm Min.                          |
| Total rotational angle [回轉角度]              | 300±5°                                    |
| Push-pull strength[推 拉強度]                  | 8.0Kgf . cm Min.                          |

|   |                        |
|---|------------------------|
| position of click[掣子位置]                   | 1C,11C,41C             |
| Center decent force [掣子脫出力矩]              | 50~500gf.cm            |
| Switch rotational angle[開關的回轉角度]          | 35° ±10°               |
| Switch action[開關的轉動力]                     | 150~500gf.cm           |
| <b>Endurance Characteristics [ 耐久性能 ]</b> |                        |
| Rotational life [ 回轉壽命 ]                  | More than10,000 cycles |

[Http://www.productwell.com](http://www.productwell.com) E-Mail: [pwlhk@productwell.com](mailto:pwlhk@productwell.com) Tel: ( 852)2687 3208 Fax: ( 852)2687 3336