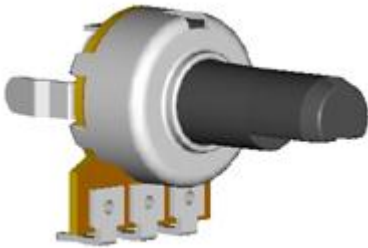


Model(型號): 旋轉式-----R16A11H01

[▶ 下載PDF文檔](#)



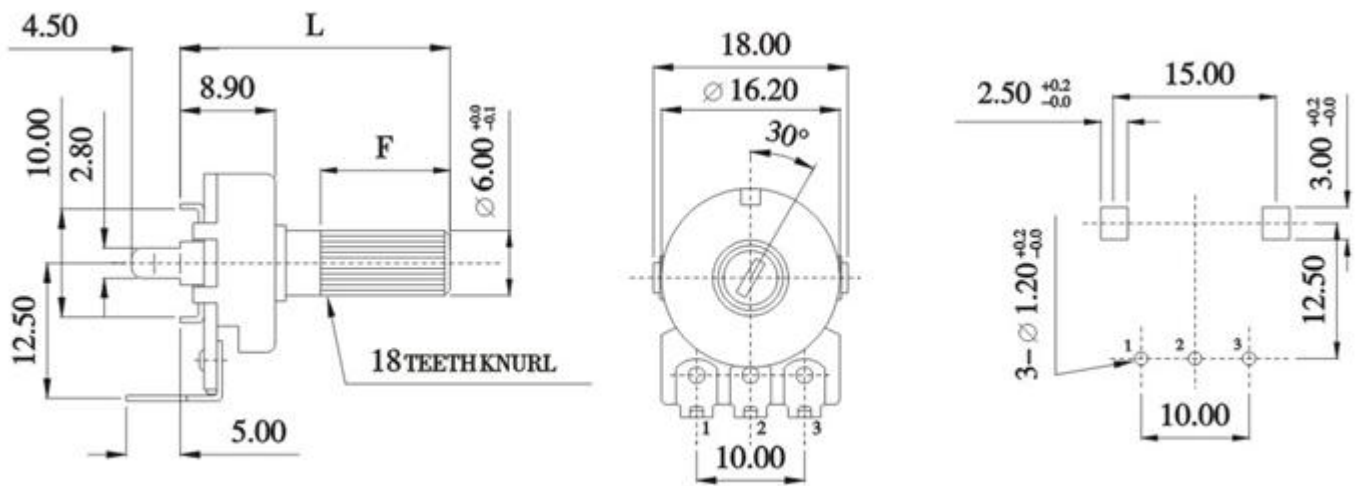
**特點:**

是所有音頻產品的理想之選。

**作用:**

是車用音響系統的音量、音調和平衡控制的理想之選。

**Dimensions(規格圖):**



**TYPE OF KNOB**

	<p><b>F Type</b></p> <table border="1"> <tr> <td>L</td> <td>18.5</td> <td>23.5</td> <td>28.5</td> <td>33.5</td> <td>38.5</td> </tr> <tr> <td>F</td> <td>7</td> <td>12</td> <td>12</td> <td>12</td> <td>12</td> </tr> </table>	L	18.5	23.5	28.5	33.5	38.5	F	7	12	12	12	12		
	L	18.5	23.5	28.5	33.5	38.5									
	F	7	12	12	12	12									
<p><b>K Type</b></p> <table border="1"> <tr> <td>L</td> <td>18.5</td> <td>18.5</td> <td>23.5</td> <td>28.5</td> <td>33.5</td> <td>38.5</td> </tr> <tr> <td>F</td> <td>7</td> <td>8</td> <td>12</td> <td>12</td> <td>12</td> <td>12</td> </tr> </table>	L	18.5	18.5	23.5	28.5	33.5	38.5	F	7	8	12	12	12	12	
L	18.5	18.5	23.5	28.5	33.5	38.5									
F	7	8	12	12	12	12									
<p><b>T Type</b></p> <table border="1"> <tr> <td>L</td> <td>18.5</td> <td>23.5</td> <td>28.5</td> <td>33.5</td> <td>38.5</td> </tr> <tr> <td>F</td> <td>7</td> <td>12</td> <td>12</td> <td>12</td> <td>12</td> </tr> </table>	L	18.5	23.5	28.5	33.5	38.5	F	7	12	12	12	12			
L	18.5	23.5	28.5	33.5	38.5										
F	7	12	12	12	12										

**Specifications(規格)**

<b>Electrical Characteristics [ 電氣性能 ]</b>	
Total resistance [ 全阻抗值 ]	500Ω - 1MΩ
Total resistance tolerance [ 全阻抗值容許差 ]	±20%
Ratings power(w) [ 額定功率 ]	0.05W
Resistance taper [ 阻抗變化特性 ]	A,B, *C,D,W
Residual resistance [ 殘留阻值 ]	30KΩMax.
Sliding noise [ 滑動雜音 ]	100mV Max.
Withstanding voltage [ 耐電壓 ]	1 minute at AC 300V
Gang error [ 連動誤差 ]	-40dB ~ 0dB ±3dB Max.
Insulation resistance [ 絕緣阻抗 ]	100MΩ Min. at DC 100V.
Max. operating voltage [ 最高使用電壓 ]	50V AC 20V DC
<b>Mechanical Characteristics [ 機械性能 ]</b>	
Operation torque [ 回轉力矩 ]	20~250gf . cm
Rotation stopper strength [ 止動強度 ]	2.0Kgf . cm Min.
Total rotational angle [ 回轉角度 ]	300±5°
Center decent force [ 掣子脫出力矩 ]	50~300gf.cm
<b>Endurance Characteristics [ 耐久性能 ]</b>	
Rotational life [ 回轉壽命 ]	More than10,000 cycles

[Http://www.productwell.com](http://www.productwell.com) E-Mail: [pwlhk@productwell.com](mailto:pwlhk@productwell.com) Tel: ( 852)2687 3208 Fax: ( 852)2687 3336