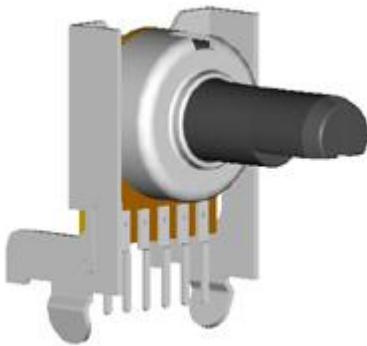


Model(型號): 旋轉式-----R16A12V01

[▶ 下載PDF文檔](#)



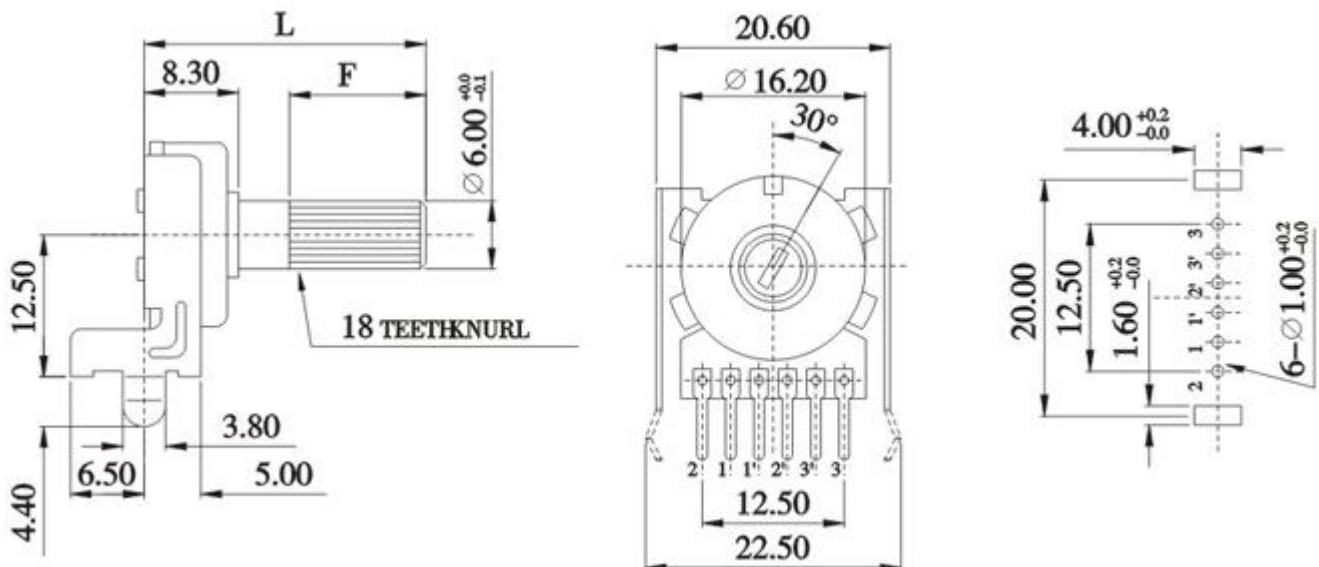
**特點:**

是所有音頻產品的理想之選。

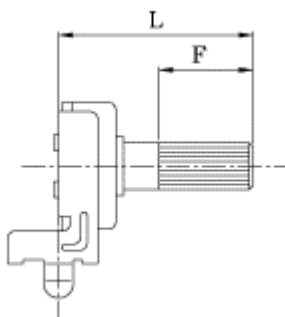
**作用:**

是車用音響系統的音量、音調和平衡控制的理想之選。

**Dimensions(規格圖):**

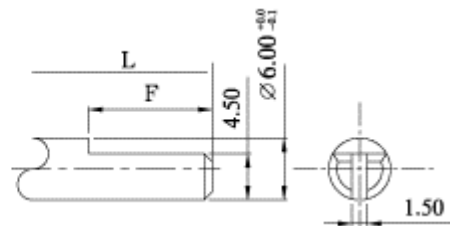


**TYPE OF KNOB**



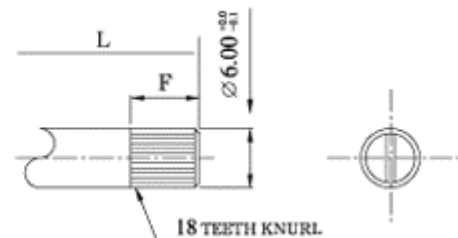
**F Type**

L	18.5	23.5	28.5	33.5	38.5
F	7	12	12	12	12



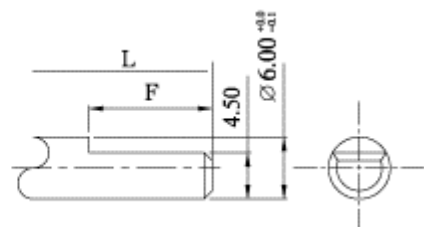
**K Type**

L	18.5	18.5	23.5	28.5	33.5	38.5
F	7	8	12	12	12	12



## T Type

L	18.5	23.5	28.5	33.5	38.5
F	7	12	12	12	12



## Specifications(規格)

### Electrical Characteristics [電氣性能]

Total resistance [全阻抗值]	500Ω - 1MΩ
Total resistance tolerance [全阻抗值容許差]	±20%
Ratings power(w) [額定功率]	0.05W
Resistance taper [阻抗變化特性]	A,B, *C,D,W
Residual resistance [殘留阻值]	30KΩMax.
Sliding noise [滑動雜音]	100mV Max.
Withstanding voltage [耐電壓]	1 minute at AC 300V
Gang error [連動誤差]	-40dB ~ 0dB ±3dB Max.
Insulation resistance [絕緣阻抗]	100MΩ Min. at DC 100V.
Max. operating voltage [最高使用電壓]	50V AC 20V DC

### Mechanical Characteristics [機械性能]

Operation torque [回轉力矩]	20~250gf . cm
Rotation stopper strength [止動強度]	2.0Kgf . cm Min.
Total rotational angle [回轉角度]	300±5°
Center decent force [掣子脫出力矩]	50~300gf.cm

### Endurance Characteristics [耐久性能]

Rotational life [回轉壽命]	More than 10,000 cycles
------------------------	-------------------------