

Model(型號): 旋轉式-----R16S118P2

[▶ 下載PDF文檔](#)



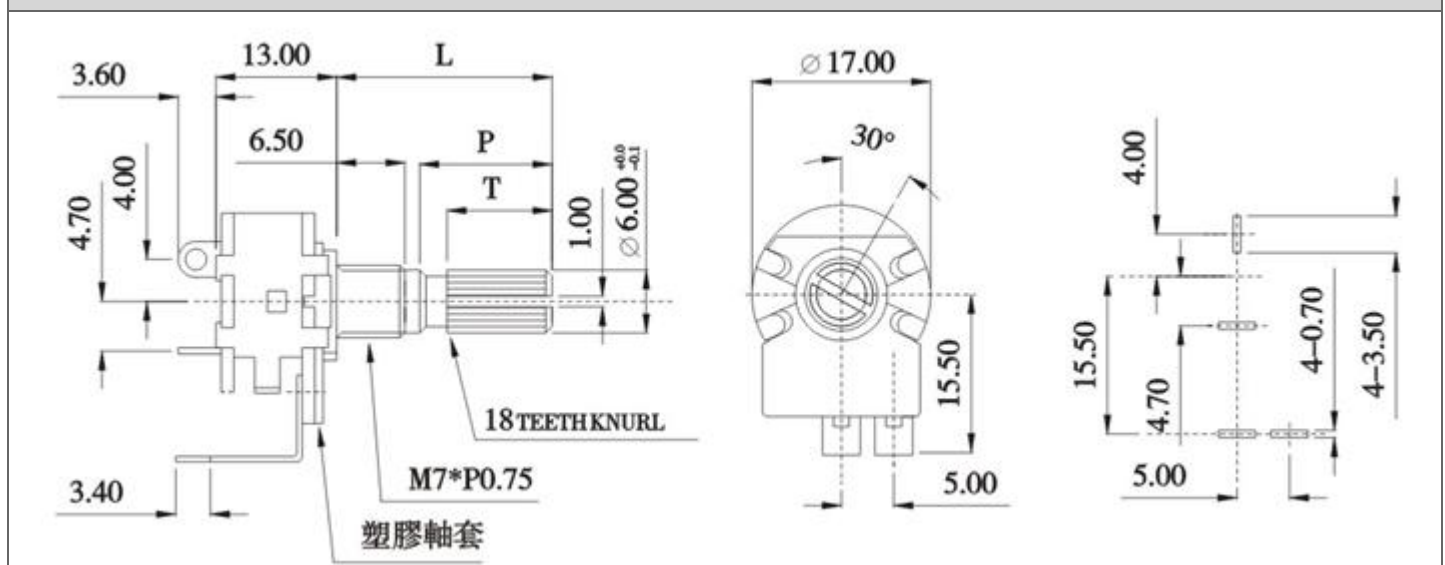
特點:

超好的操作手感，是所有音頻產品的理想之選。

作用:

適用於普通的消費類電子產品、自動裝置設備和器材、工業機器等的控制。

Dimensions(規格圖):



Specifications(規格)

Electrical Characteristics [電氣性能]

| | |
|--|---|
| Total resistance [全阻抗值] | 100Ω~2MΩ |
| Total resistance tolerance [全阻抗值容許差] | ±20% |
| Ratings power(w) [額定功率] | B curve 0.1W,except B 0.05W |
| Restings taper[阻抗變化特性] | A,B,*C,D,W,RD |
| Residual resistance [殘留阻值] | 10ΩMax. |
| Sliding noise [滑動雜音] | 47mV Max. |
| Withstanding voltage [耐電壓] | 1 minute at AC 500V |
| Insulation resistance [絕緣阻抗] | 100MΩ Min. at DC 500V. |
| Max. operating voltage [最高使用電壓] | linear Taper B AC 200V, except B AC 150V. |
| Gang error:[運動誤差] | -40dB~0dB ±3dB Max. |
| Switch contact resistance[開關的接觸阻抗] | less than 0.5mΩ |
| Switch Ratings power | 1A at AC /DC 12V |

Mechanical Characteristics [機械性能]

| | |
|------------------------------------|------------------|
| Operation torque [回轉力矩] | 30~250gf . cm |
| Rotation stopper strength [止動強度] | 6.0Kgf . cm Min. |

| | |
|---|------------------------|
| Total rotational angle [回轉角度] | 300±5° |
| Push-pull strength[推 拉強度] | 8.0Kgf . cm Min. |
| position of click[掣子位置] | 1C,11C,41C |
| Center decent force [掣子脫出力矩] | 50~500gf.cm |
| Switch rotational angle[開關的回轉角度] | 35° ±10° |
| Switch action[開關的轉動力] | 150~500gf.cm |
| Endurance Characteristics [耐久性能] | |
| Rotational life [回轉壽命] | More than10,000 cycles |

[Http://www.productwell.com](http://www.productwell.com) E-Mail: pwlhk@productwell.com Tel: (852)2687 3208 Fax: (852)2687 3336