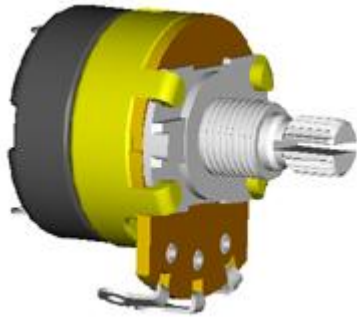


Model(型號): 旋轉式-----R24S11AB2

[▶ 下載PDF文檔](#)



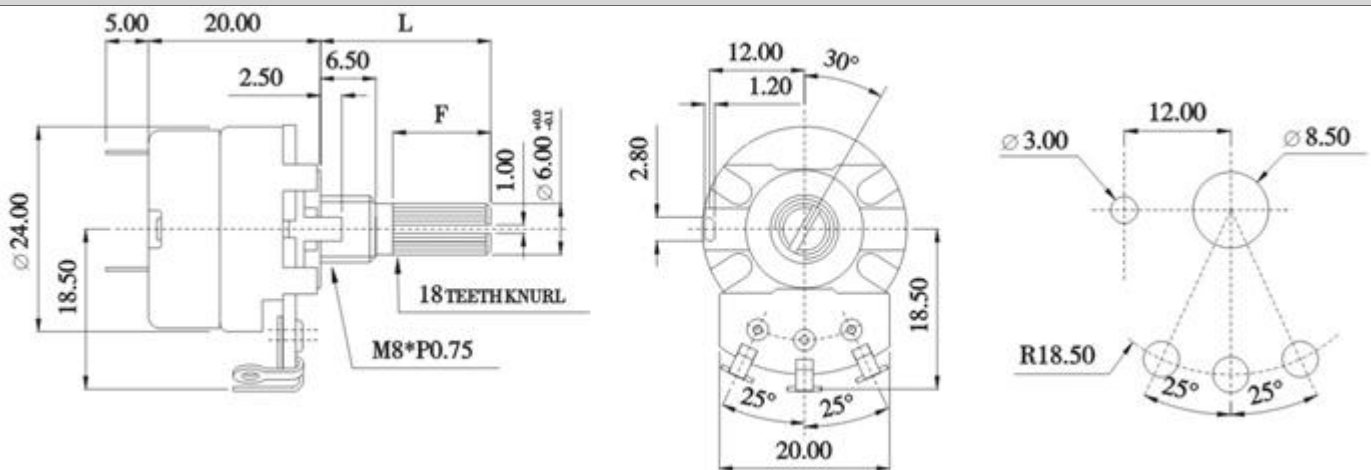
特點:

超好的操作手感，多種型號可提供。高性能表現和高可靠性。

作用:

適用於普通的消費類電子產品、自動裝置設備和器材、工業機器等的控制。

Dimensions(規格圖):



Specifications(規格)

Electrical Characteristics [電氣性能]

Total resistance [全阻抗值]	500Ω~1MΩ
Total resistance tolerance [全阻抗值容許差]	±20%
Ratings power(w) [額定功率]	B curve 0.5W,except B 0.25W
Restings taper[阻抗變化特性]	A,B,*C,D,W
Residual resistance [殘留阻值]	20ΩMax.
Sliding noise [滑動雜音]	80mV Max.
Withstanding voltage [耐電壓]	1 minute at AC 500V
Insulation resistance [絕緣阻抗]	100MΩ Min. at DC 500V.
Max. operating voltage [最高使用電壓]	linear Taper B AC 500V, except B AC 250V.
Gang error:[運動誤差]	-40dB~0dB ±3dB Max.
Switch contact resistance[開關的接觸阻抗]	less than 0.3mΩ
Switch Ratings power	1.0A at AC /DC 125V

Mechanical Characteristics [機械性能]

Operation torque [回轉力矩]	30~200gf . cm
Rotation stopper strength [止動強度]	5.0Kgf . cm Min.
Total rotational angle [回轉角度]	300±5°
Switch rotational angle[開關的回轉角度]	50° ±5°
Switch action[開關的轉動力]	150~450gf.cm

Endurance Characteristics [耐久性能]

Rotational life [回轉壽命]	More than 10,000 cycles
--------------------------	-------------------------

[Http://www.productwell.com](http://www.productwell.com) E-Mail: pwlhk@productwell.com Tel: (852)2687 3208 Fax: (852)2687 3336