

Model(型號): 直滑式-----SA0M12B01

[▶ 下載PDF文檔](#)



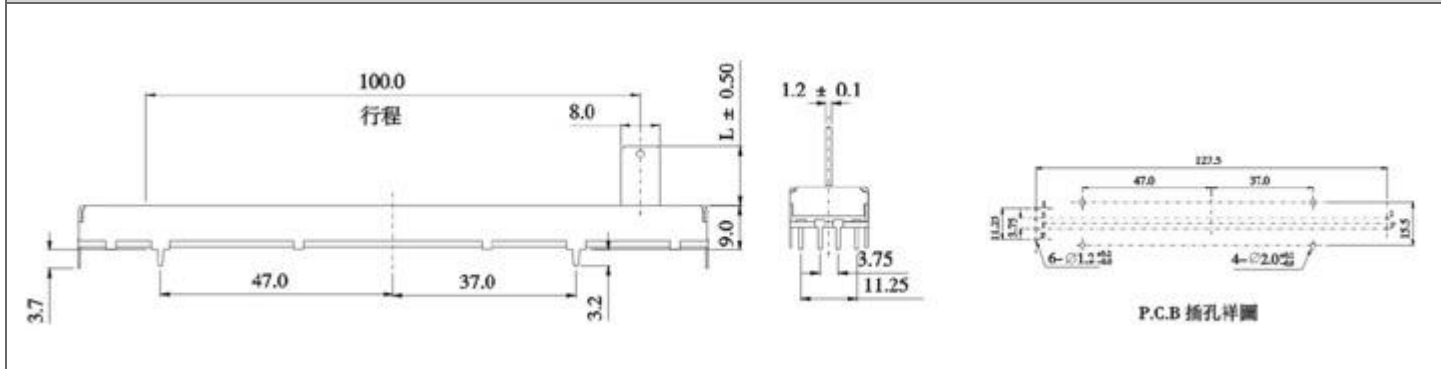
特點:

Thin and compact design with 8 mm body height and 15mm width
Light sliding force and excellent operability
Highly accurate attenuation characteristics,maximum attenuation of more than 100dB and low noise
Dustproof mounting applicable through 90 degree bent lever (the device can be mounted directly even if audio mixers have vertical type PWB)

作用:

Fade control for common type audio mixers.

Dimensions(規格圖):



Specifications(規格)

Electrical Characteristics [電氣性能]	
Total resistance [全阻抗值]	100Ω ~ 1MΩ
Total resistance tolerance [全阻抗值容許差]	±20%
Ratings power(w) [額定功率]	Travel 60mm B Single 0.2W,Dual 0.2W Except B single 0.1W,Dual 0.1W
Resistance taper [阻抗變化特性]	A,B,*C,D,W
Residual resistance(1-2/2-3) [殘留阻值]	10/20 Max
	20/30 Max
	30/50 Max
	50/70 Max
Sliding noise [滑動雜音]	100mV Max
Insulation resistance [絕緣阻抗]	100MΩ Min. at DC 250V.
Withstanding voltage [耐電壓]	1 minute at AC 300V
Max. operating voltage [最高使用電壓]	B Single 200V, Dual 200V Except B Single 150V,Dual 50V
Cang error:[運動誤差]	Volume[音量] -40dB ~0dB±3dB Max
	Tone [音質] ±3dB Max. at 50% position.
Mechanical Characteristics [機械性能]	
Operation torque [滑動力矩]	30~250gf.cm
Stopper strength[止動強度]	5.0Kgf
Click slip out torque[掣子脫出力矩]	40~350gf.cm
Lever wobble[推柄搖晃]	2(2xL)/20mm Max. L=length of level
Position of click[推拉強度]	1C,7C,11C
Lever push-pull strength[推拉強度]	5.0Kgf. cm Max. at 5 sec.
Endurance Characteristics [耐久性能]	
Rotational life [回轉壽命]	More than 15,000 cycles