

Model(型號): 精密多圈線繞電位器-----WXD3590

► 下載PDF文檔



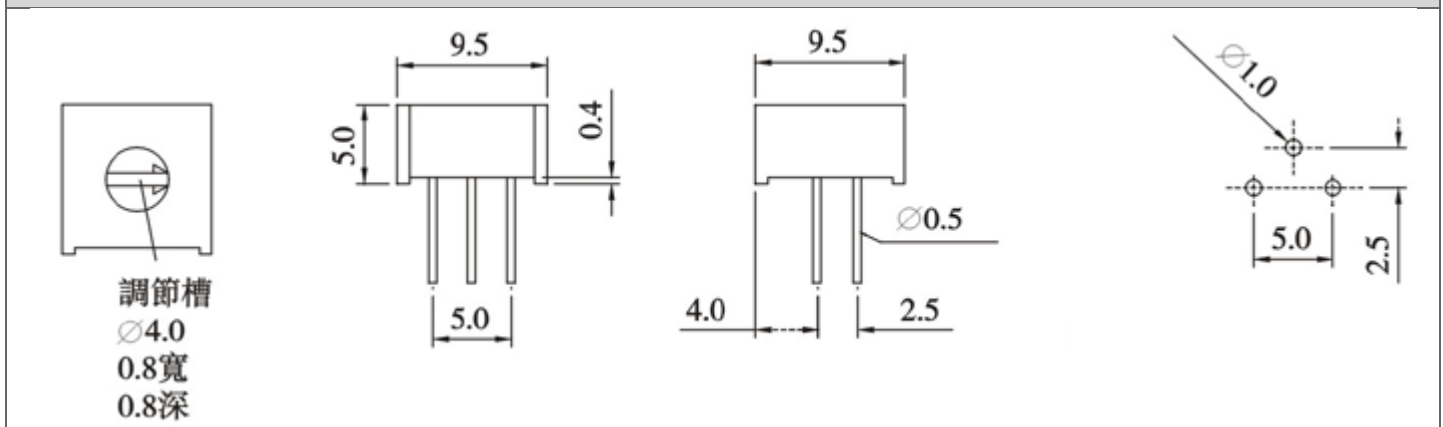
**特點:**

多款式均適用  
超高性能及高度可靠性  
可自動調節(安裝上自動調節傳動器)  
寬軸設計使調節起來更方便.  
在商業市場上能找到用於此電位器之可調式螺絲起子

**作用:**

測量設備，通信設備，工業機械，高環境要求場合

**Dimensions(規格圖):**



**Specifications( 規格)**

| Electrical Characteristics [ 電器性能 ]           |                                        |
|-----------------------------------------------|----------------------------------------|
| Range of nominal resistance[ 標稱阻值範圍 ]         | 100Ω-100KΩ                             |
| Resistance tolerance[ 阻值允許偏差]                 | ±2%, ±5%                               |
| Terminal resistance[ 終端電阻]                    | ≤±0.2%R or 5Ω                          |
| Peak noise[ 峰值噪音]                             | ≤ 100Ω                                 |
| Linear accuracy[ 線性精度]                        | ±1%, ±0.5%                             |
| Electrical angle[ 電氣轉角]                       | 3600°±10°                              |
| Insulation resistance[ 絕緣電阻]                  | ≥ 200MΩ                                |
| Withstand voltage[ 耐電壓]                       | 500V(DC or AC峰值)                       |
| Environment Characteristics [ 環境特性]           |                                        |
| (70°C)Rated power[ 額定功耗]                      | 2W(70°C)                               |
| Temperature range[ 溫度範圍]                      | -55°C -+125°C                          |
| TCR[ 溫度系數]                                    | ±100×10 <sup>-6</sup> /°C              |
| Temperature shock[ 溫度沖擊]                      | ΔR ≤ ±3%R                              |
| Collision(390m/S <sup>2</sup> ,4000次)[ 碰撞]    | ΔR ≤ ±1%R                              |
| Moisture proof (GJB306A-96方法106,7a、7b不適用)[耐濕] | ΔR ≤ ±3%R, 絕緣電阻 ≥ 100MΩ                |
| Vibration(10-500HZ,0.75mm,6h[ 振動]             | ΔR ≤ ±1%R, 電氣間斷 ≤ 100μS                |
| Climate category(IEC68-2-2)[ 氣候順序]            | ΔR ≤ ±3%R, 絕緣電阻 ≥ 100MΩ, 起動力矩 ≤ 20mN.m |
| Operation at lowtemperature(-55°C,4h)[ 低溫工作]  | ΔR ≤ ±3%R, 起動力矩 ≤ 20mN.m               |
| Rotational life(10000cycles)[ 旋轉壽命]           | ΔR ≤ ±3%R, 峰值噪音 ≤ 500Ω, 起動力矩 ≤ 20mN.m  |

|                                                                                                                                                                                                                                                                                                                                       |                                                                       |
|---------------------------------------------------------------------------------------------------------------------------------------------------------------------------------------------------------------------------------------------------------------------------------------------------------------------------------------|-----------------------------------------------------------------------|
| Electrical endurance(2W,1000h)70°C [ 電氣耐久性]                                                                                                                                                                                                                                                                                           | $\Delta R \leq \pm 3\%R$                                              |
| Steady damp heat(IEC68-2-3,Ca,96h)[ 穩態濕熱]                                                                                                                                                                                                                                                                                             | $\Delta R \leq \pm 3\%R$ ,絕緣電阻 $\geq 100M\Omega$ , 起動力矩 $\leq 20mN.m$ |
| <b>Physical Characteristics[ 物理特性]</b>                                                                                                                                                                                                                                                                                                |                                                                       |
| Total mechanical travel[ 總機械行程]                                                                                                                                                                                                                                                                                                       | $3600^{\circ} \pm 10^{\circ}$                                         |
| Rotational torque[ 旋轉力矩]                                                                                                                                                                                                                                                                                                              | 2-10Mn.M                                                              |
| Stopper torque[ 止檔力矩]                                                                                                                                                                                                                                                                                                                 | $\geq 300mN.m$                                                        |
| <p>注：可提供特殊阻值和規格的产品<br/>         可提供線性精度<math>\pm 0.25\%</math>的产品<br/>         符合GB/T15298-94總規範<br/>         訂購指南:WXD3590 B103 M20</p> <pre>         graph TD             WXD3590 --- Spec[規格]             B103 --- Res[標稱阻值]             M20 --- Shaft[軸型及軸長]             Spec --- Res             Res --- Shaft             </pre> |                                                                       |

[Http://www.productwell.com](http://www.productwell.com) E-Mail: [pwlw@productwell.com](mailto:pwlw@productwell.com) TEL: 0769-81353212 FAX: 0769-81353211